

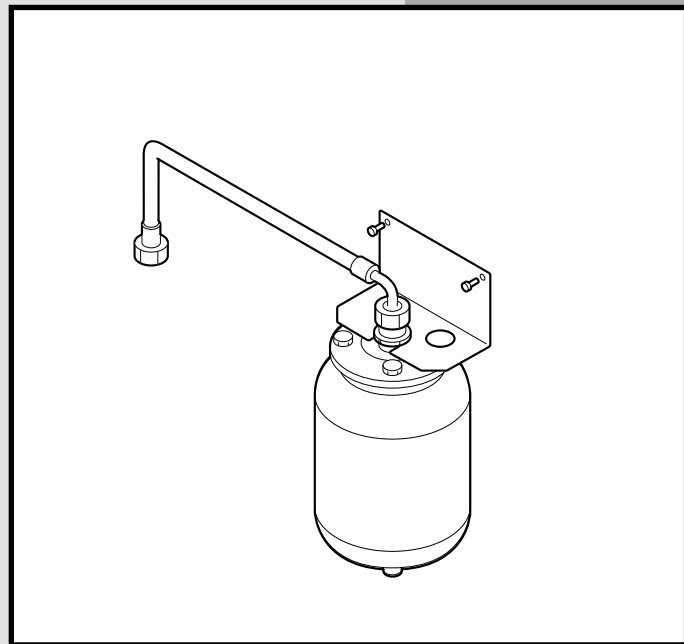
**Montage instructie**  
**Assembly instructions**  
**Instructions de montage**  
**Montageanweisung**

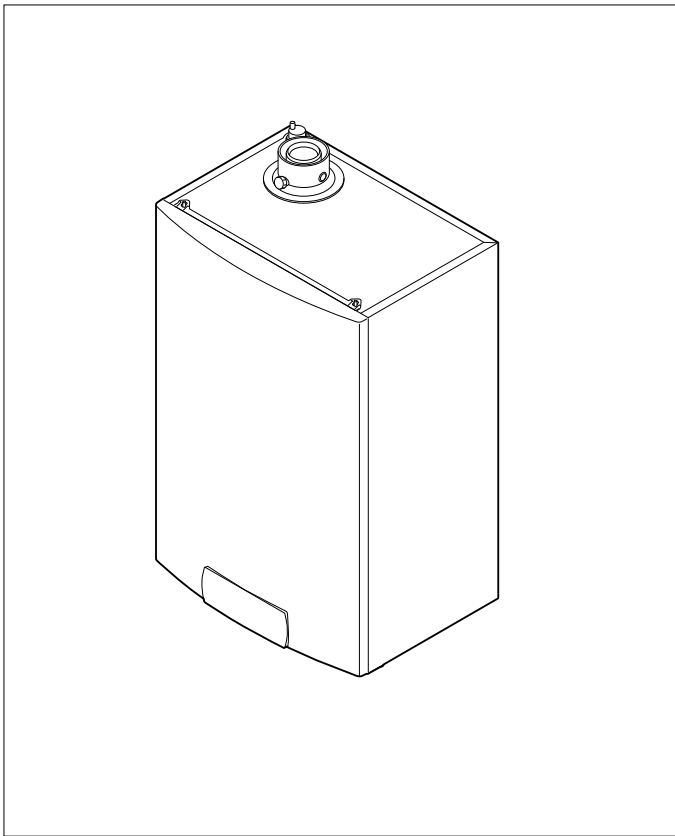
**Expansievat**

**Expansionvessel**

**Vase d'expansion**

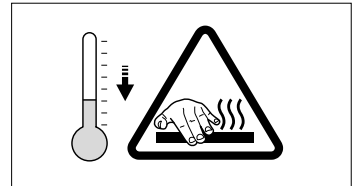
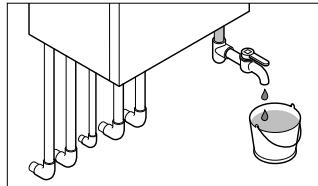
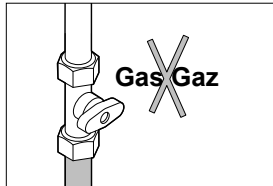
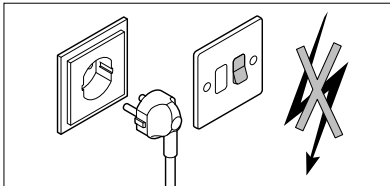
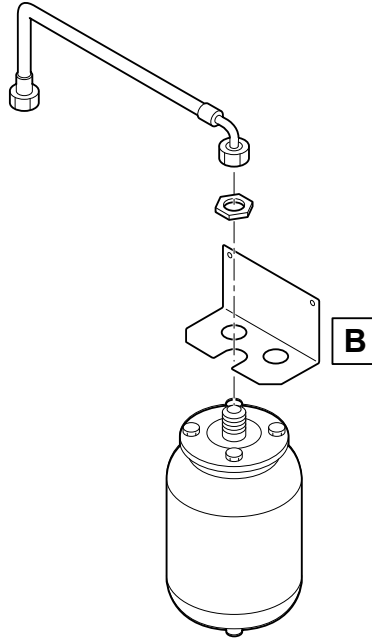
**Ausdehnungsgefäß**

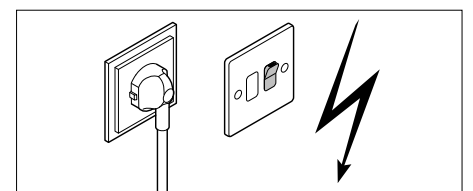
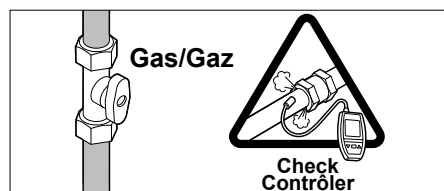
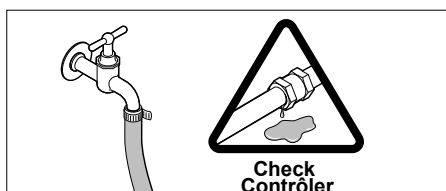
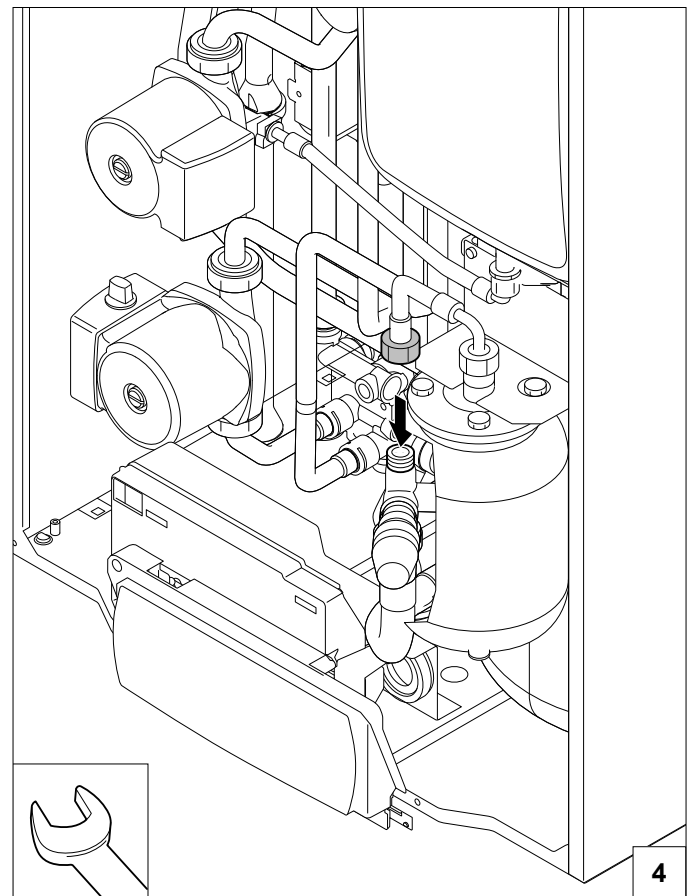
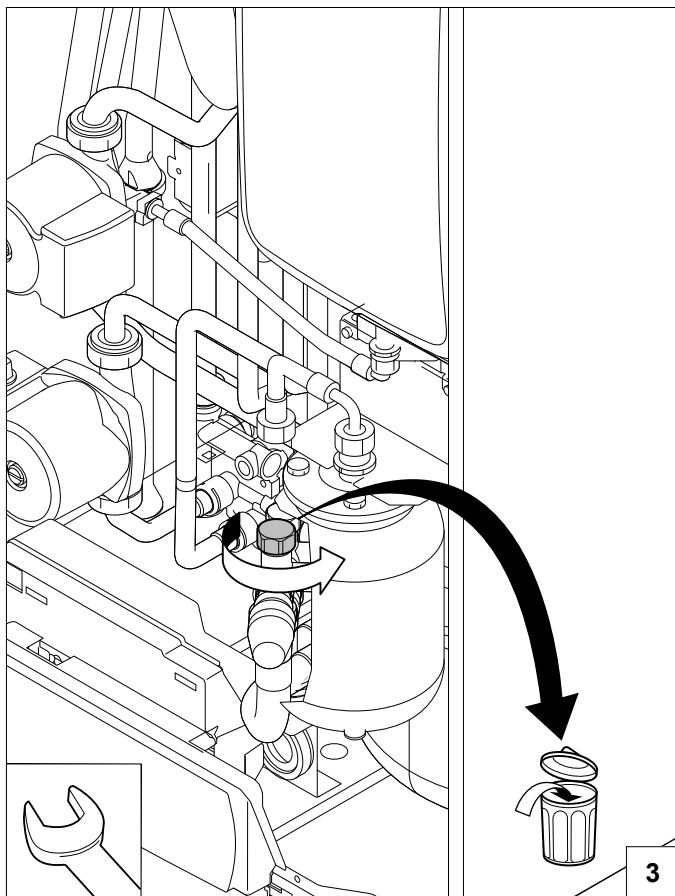
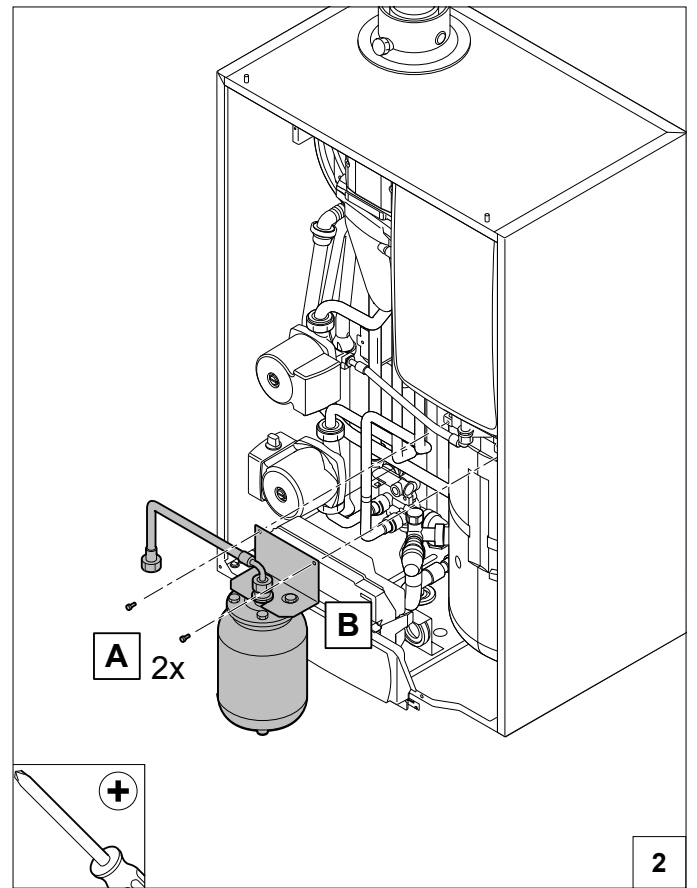
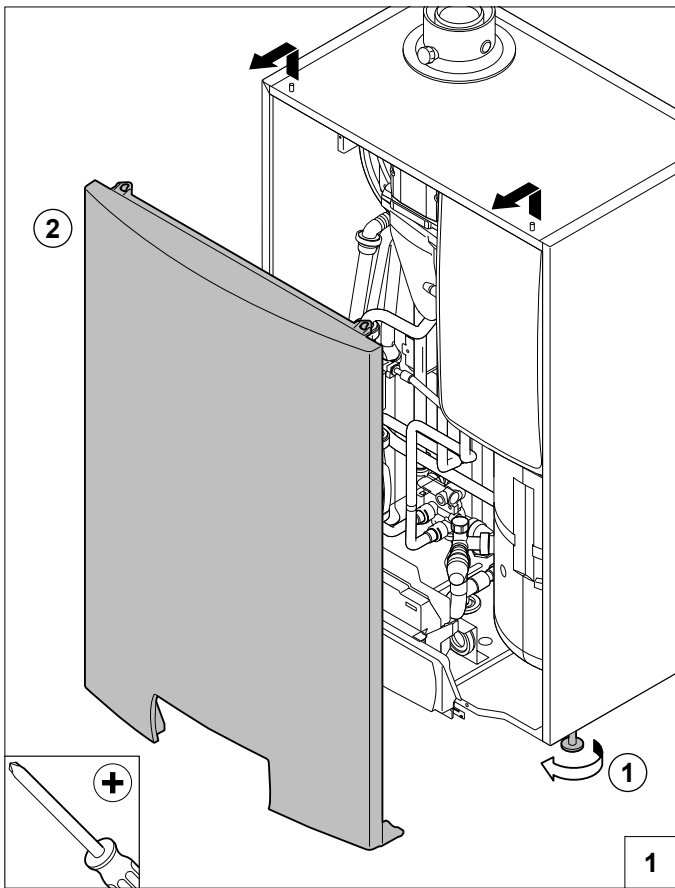




Inhoud verpakking  
Set contents  
Contenu du jeu  
Inhalt des Bausatzes

**A**  2x





**© Copyright**

All technical and technological information contained in these technical instructions, as well as any drawings and technical descriptions supplied, remain our property and shall not be multiplied without our prior consent in writing.

Ours is a policy of continuous development. We reserve the right to alter specifications without prior notification.

Subject to alterations.



117445 - 270508



117445