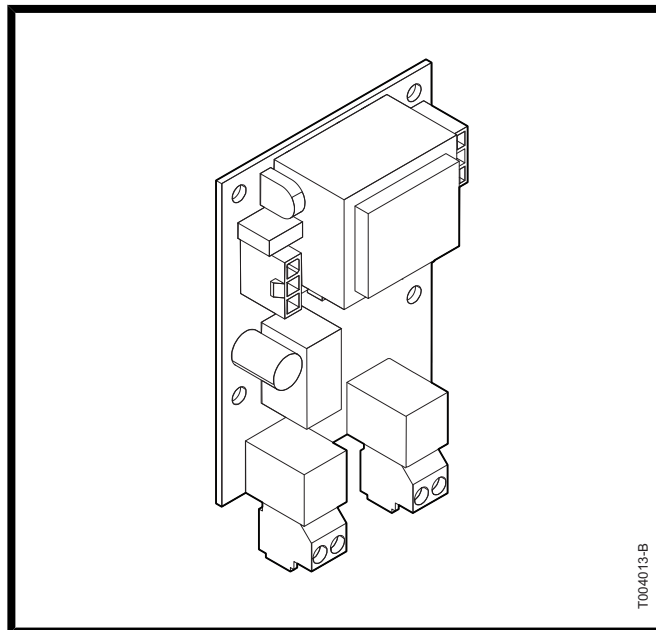
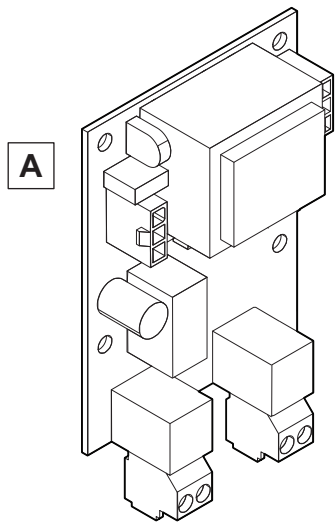


Montage instructie
Assembly instructions
Instructions de montage
Montageanweisung
Instrucciones para el montaje
Istruzioni di montaggio

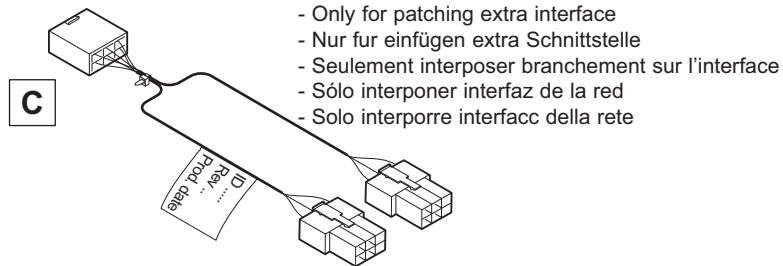
Print SCU-X03
Print SCU-X03
Carte électronique SCU-X03
Platine SCU-X03
Circuito impresso SCU-X03
incl. Stampa SCU-X03



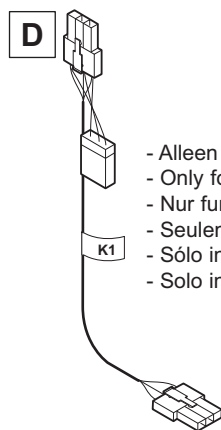
Inhoud verpakking
Set contents
Contenu du kit
Inhalt des Bausatzes
Contenido del paquete
Contenuti del pacchetto



B 4x

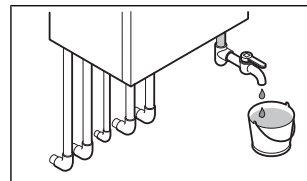
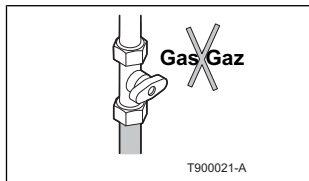
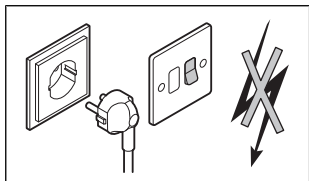


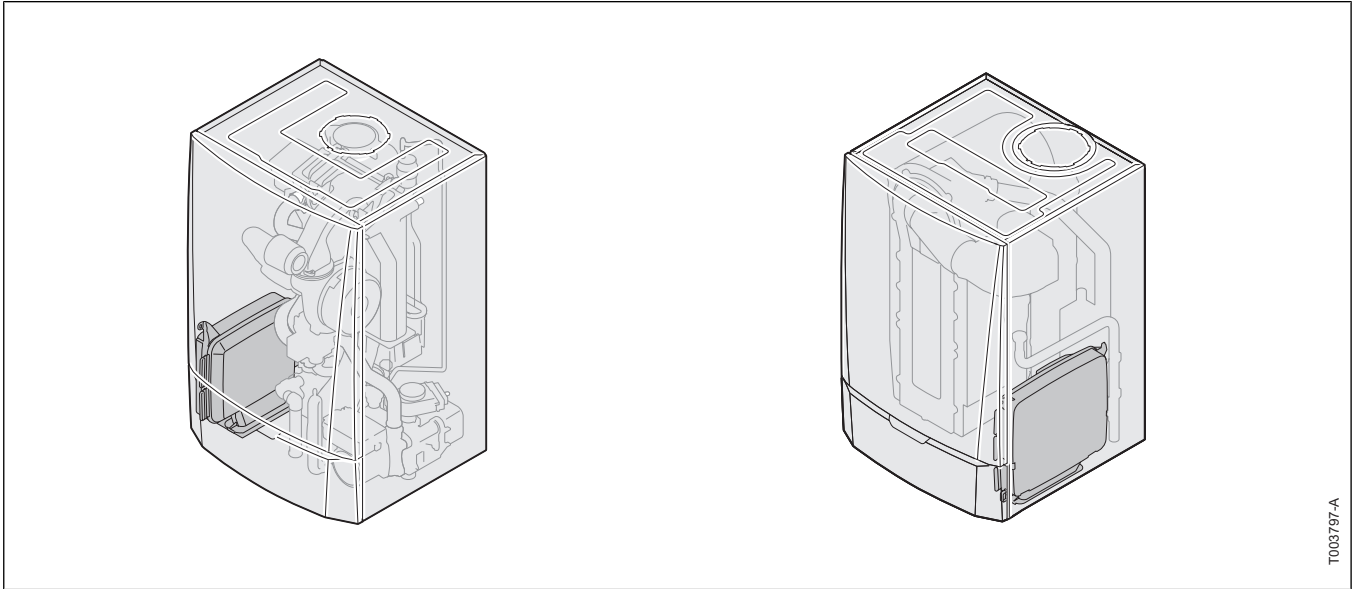
- Alleen voor doorlussen extra interface
- Only for patching extra interface
- Nur für einfügen extra Schnittstelle
- Seulement interposer branchement sur l'interface
- Sólo interponer interfaz de la red
- Solo interporre interfacc della rete



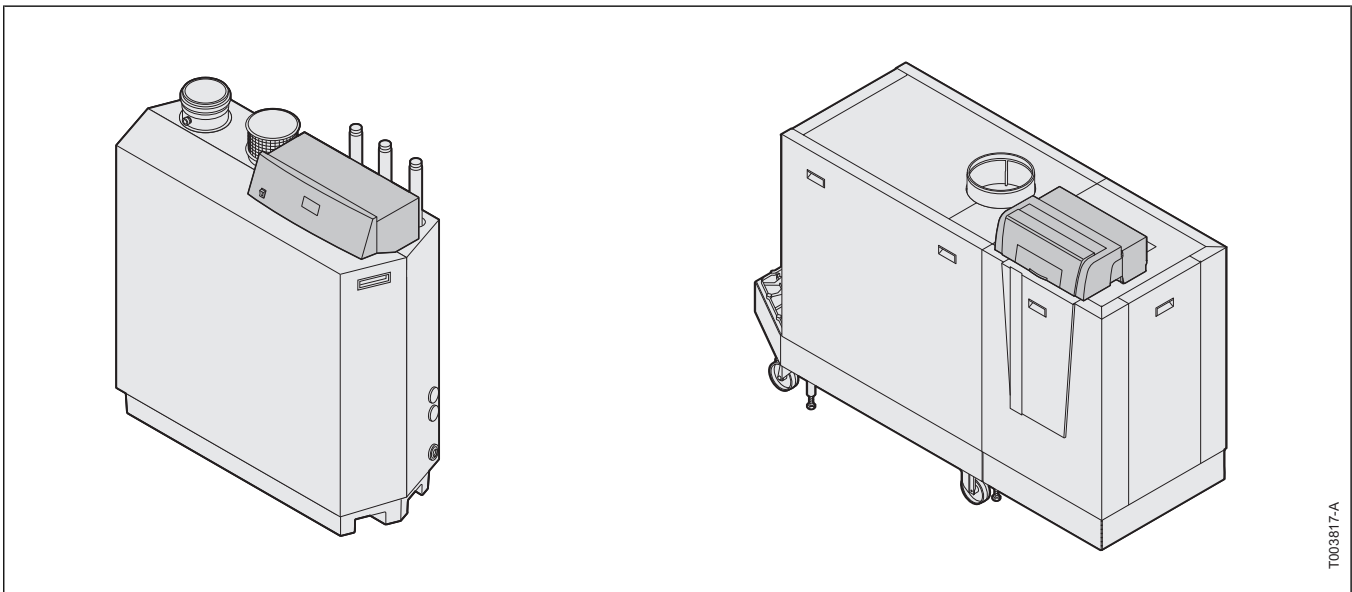
- Alleen voor doorlussen extra netvoeding
- Only for patching extra mains supply
- Nur für einfügen extra netz speisung
- Seulement interposer branchement sur le réseau supplémentaire
- Sólo interponer alimentación de la red
- Solo interporre alimentazione della rete

T002096-E



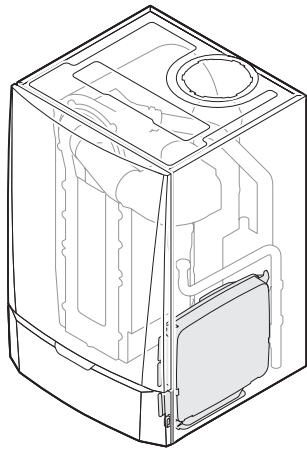


T003757-A

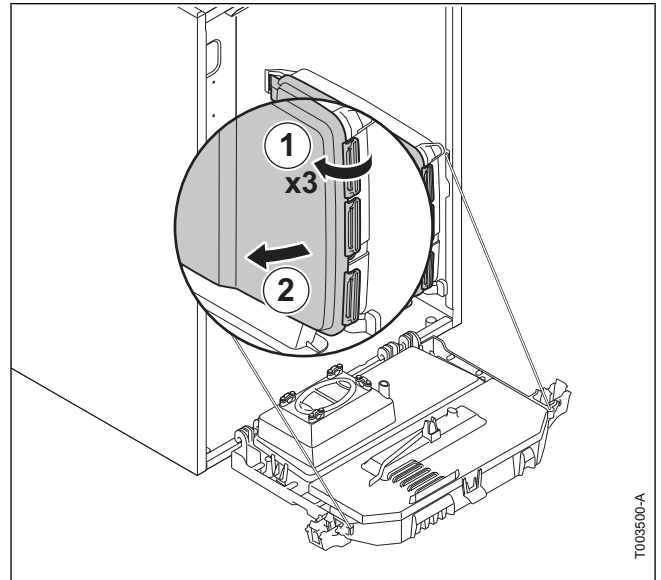


T003817-A

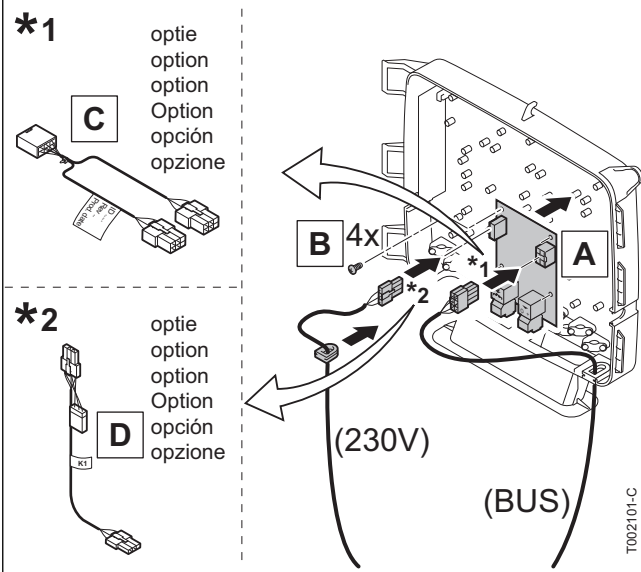
- NL** Voorbeeld
- GB** Example
- FR** Exemple
- DE** Beispiel
- ES** Ejemplo
- IT** Esempio



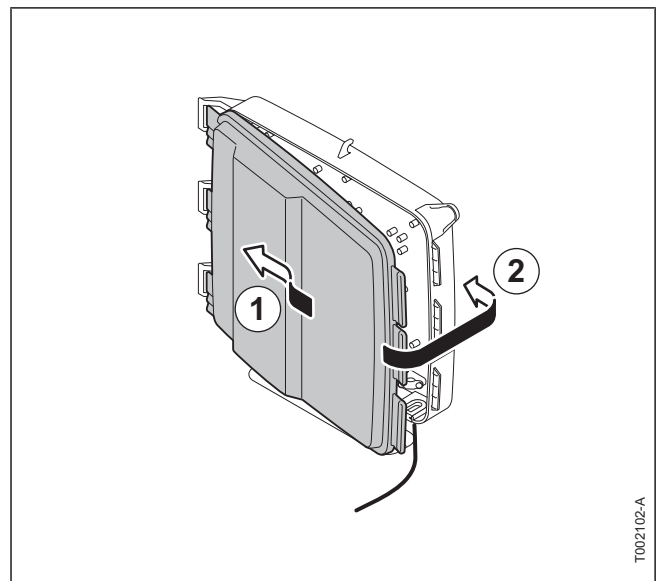
T003804-A



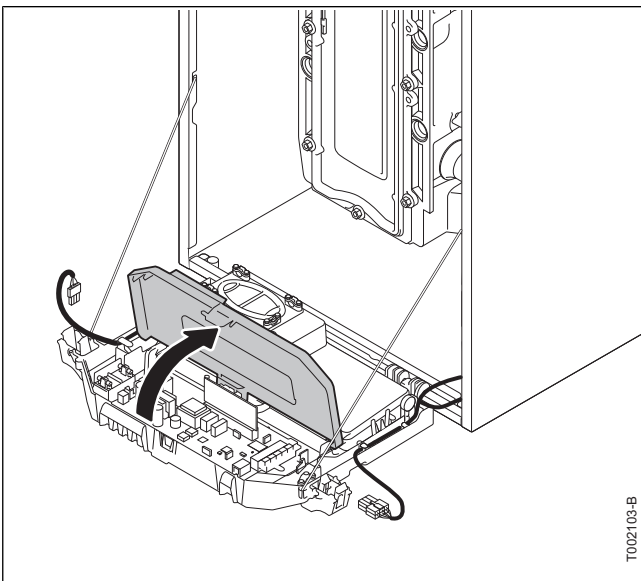
T003500-A



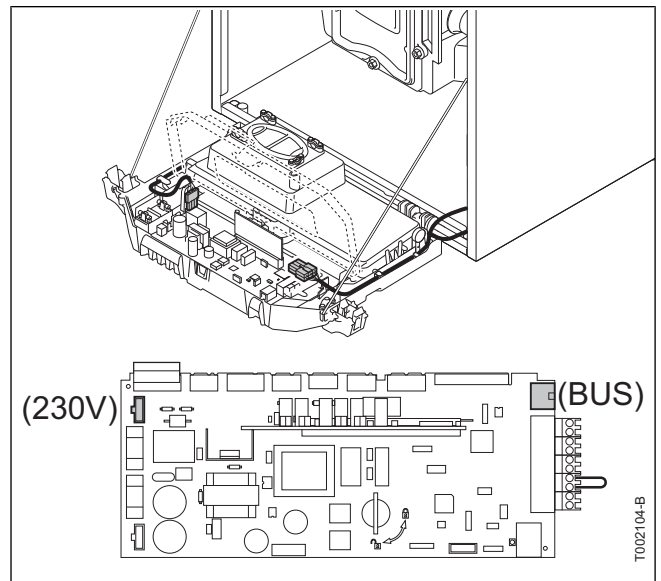
T002101-C



T002102-A



T002103-B



T002104-B

NL Voorbeeld

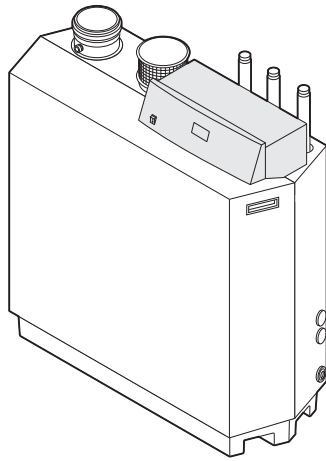
GB Example

FR Exemple

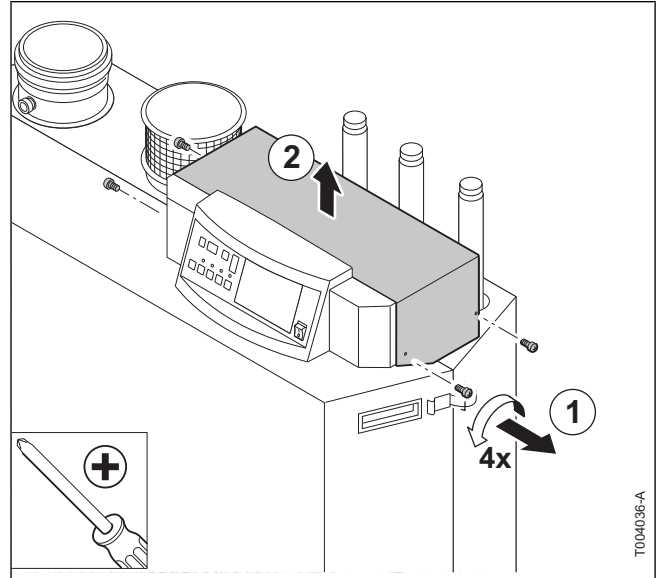
DE Beispiel

ES Ejemplo

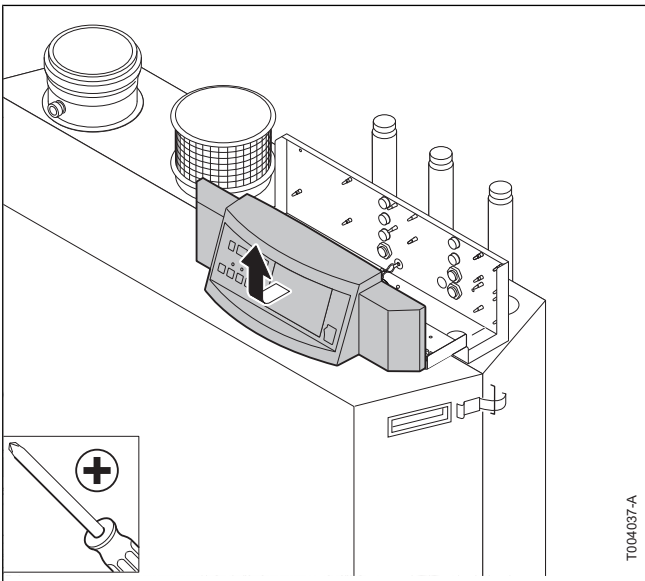
IT Esempio



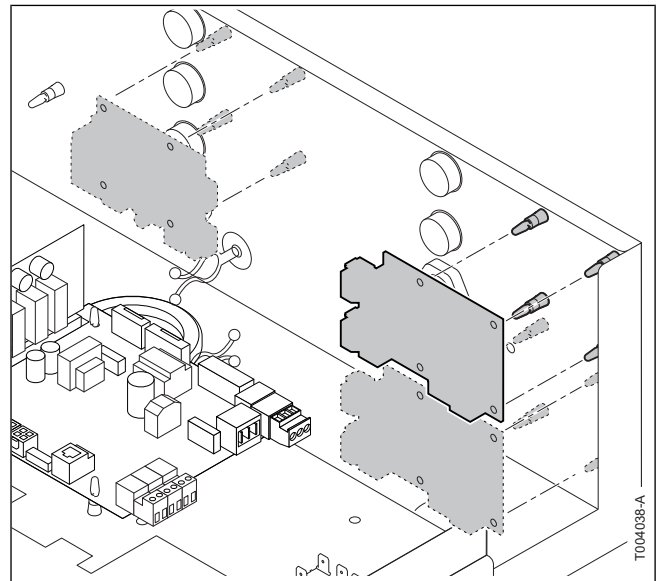
T003815-A



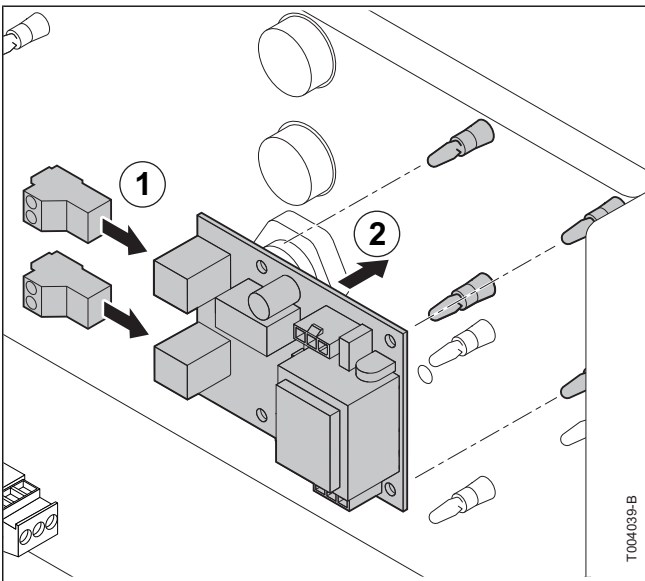
T004036-A



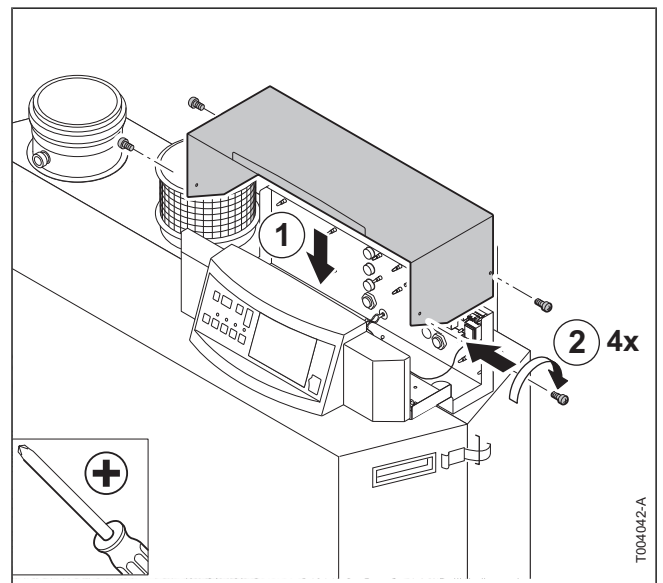
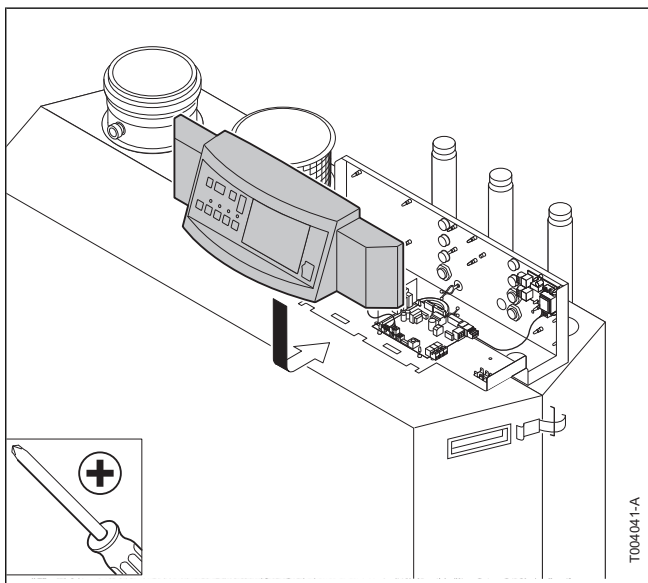
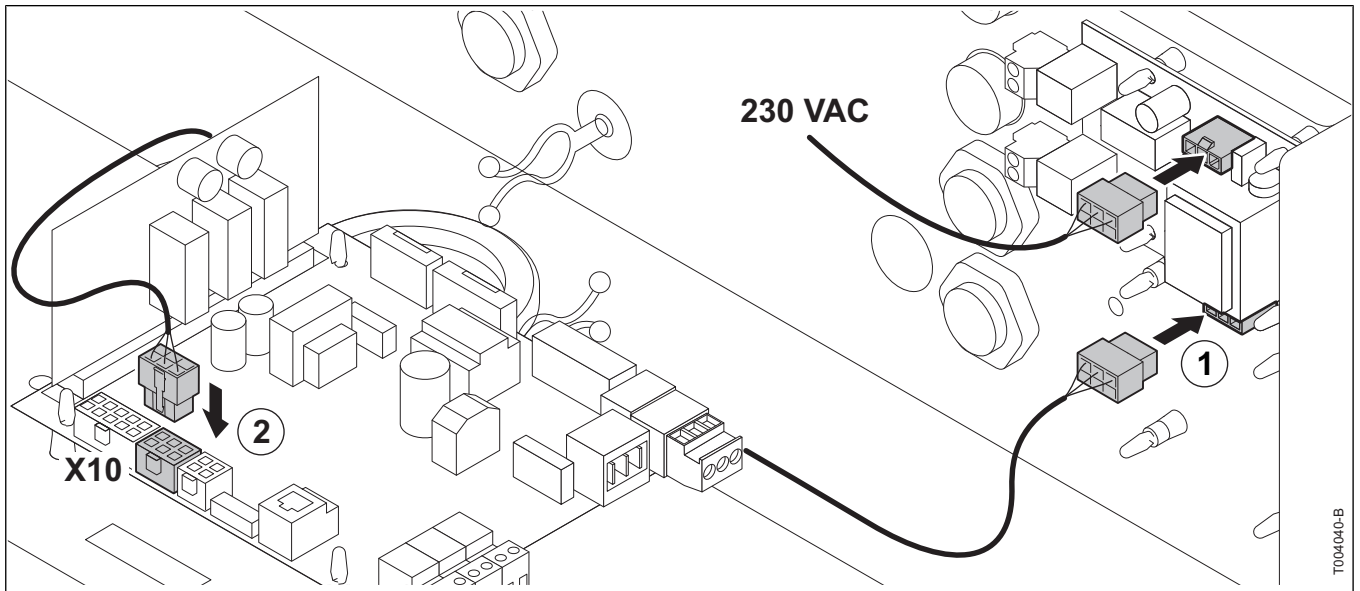
T004037-A

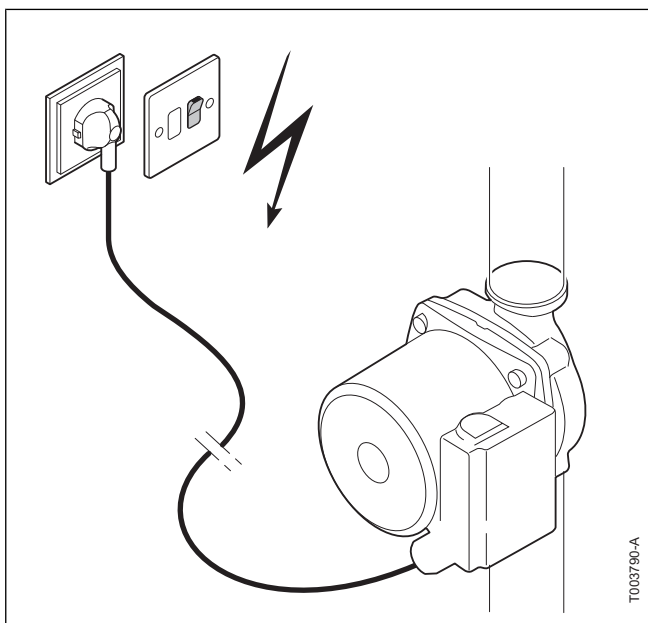
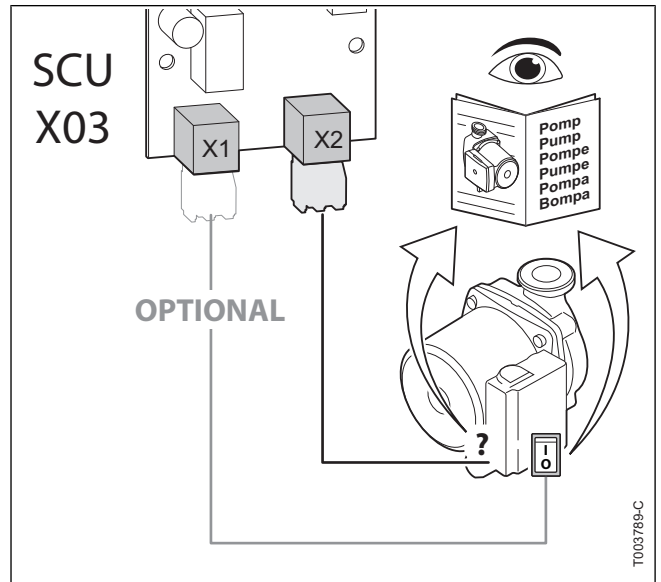
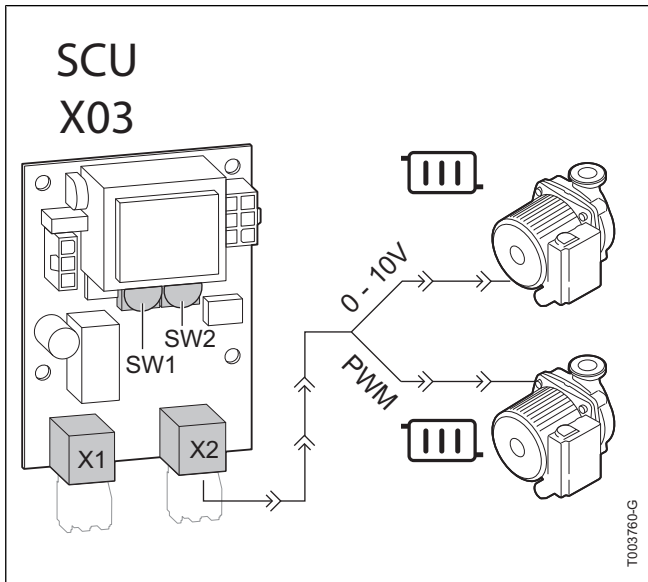


T004038-A



T004039-B

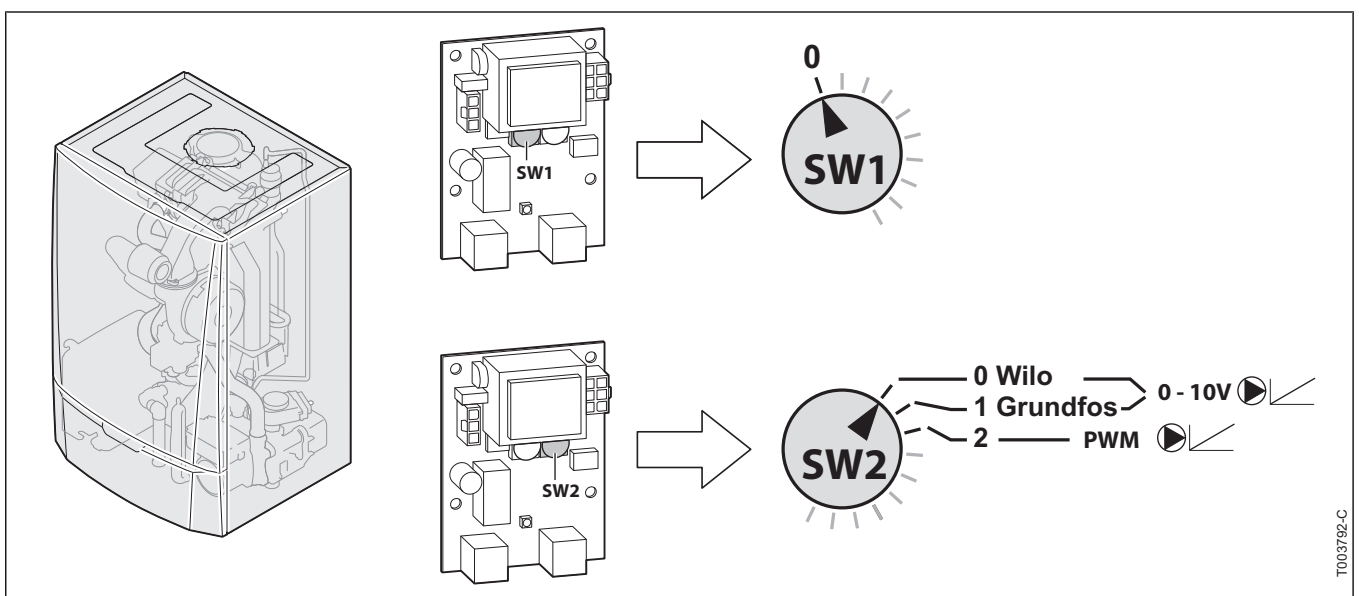


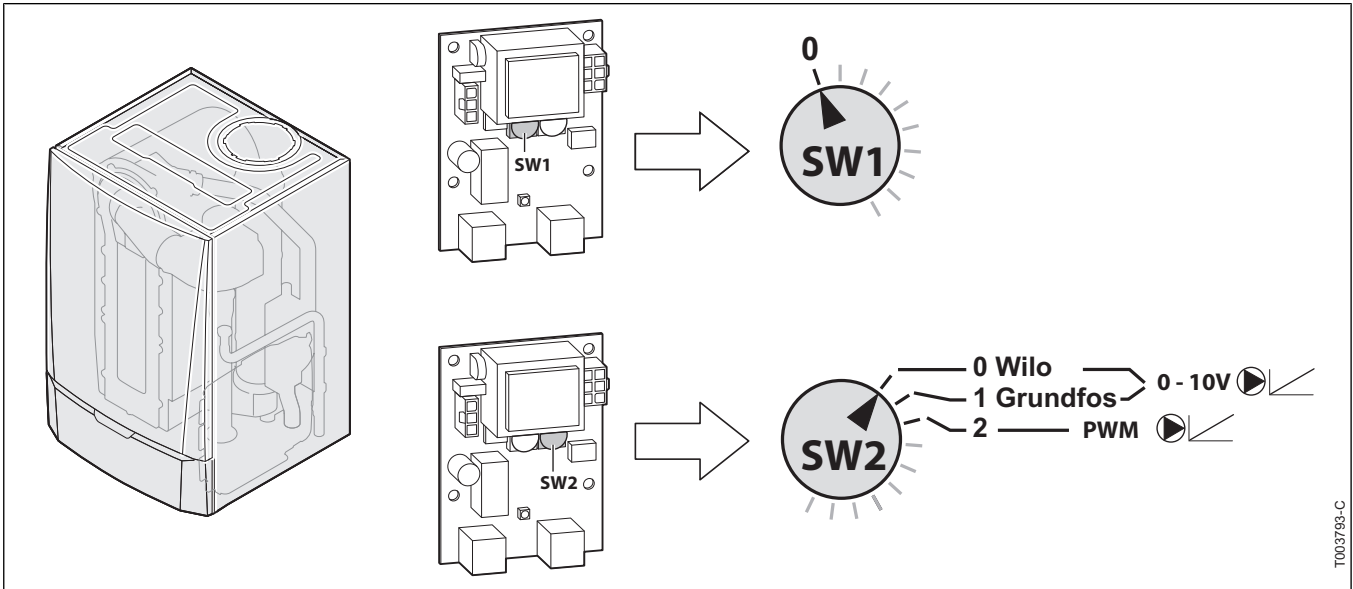


Performance curve graph showing head (H) versus flow (Q). The graph displays two curves: $n_s = \text{const}$ and $n_{\text{max}} = \text{const}$. A dashed line indicates the head H_s .

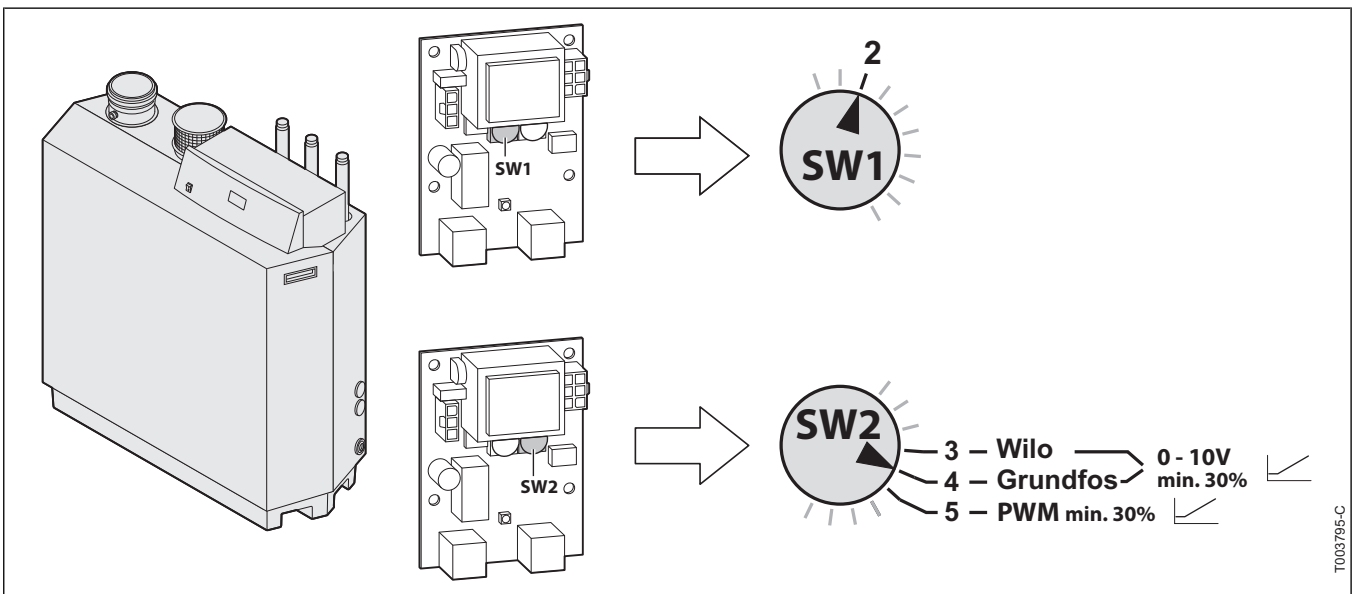
- NL** Stel de pomp in op "constante curve"
- GB** Set the pump to "constant curve"
- FR** Régler la pompe sur « Courbe constante »
- DE** Die Pumpe auf „konstante Kurve“ einstellen
- ES** Ajuste la bomba en "curva constante"
- IT** Impostare la pompa su "curva costante"

T003791-C

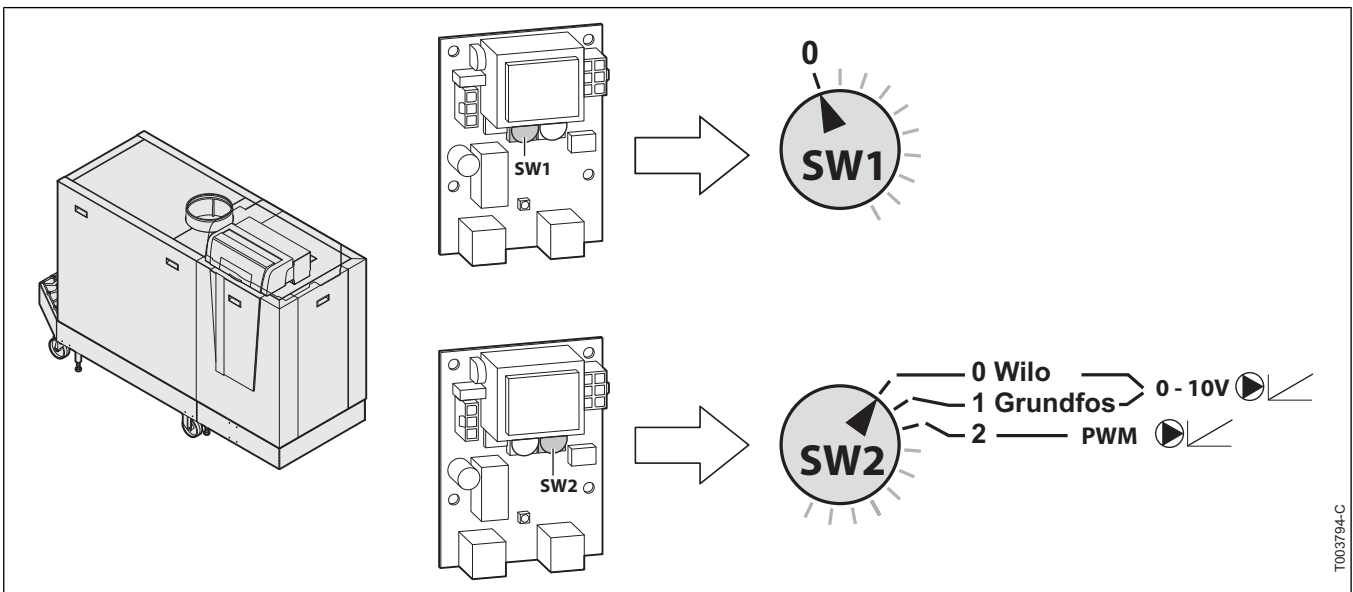




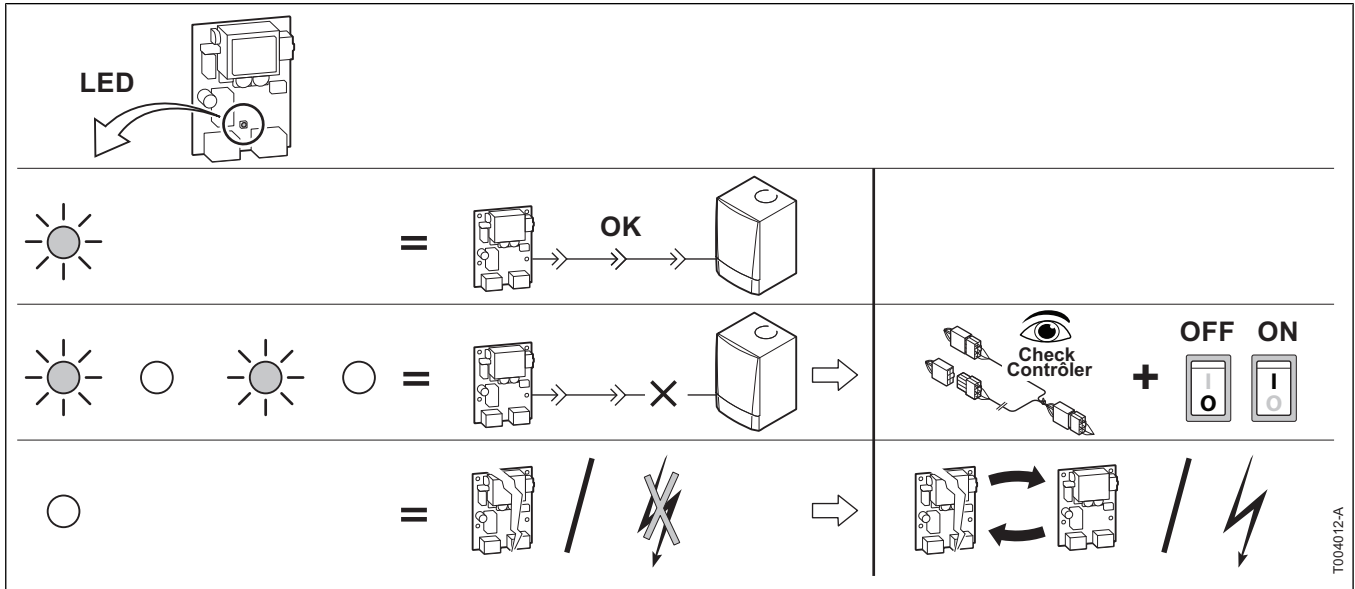
T003793-C



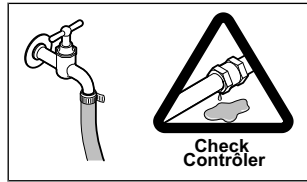
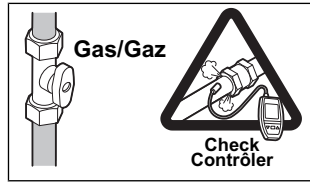
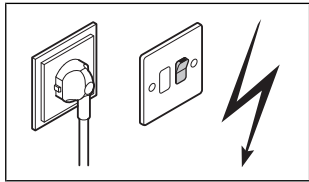
T003795-C



T003794-C



T004012-A







© **Copyright**

All technical and technological information contained in these technical instructions, as well as any drawings and technical descriptions supplied, remain our property and shall not be multiplied without our prior consent in writing.

Ours is a policy of continuous development. We reserve the right to alter specifications without prior notification.

Subject to alterations.

123355-160611

