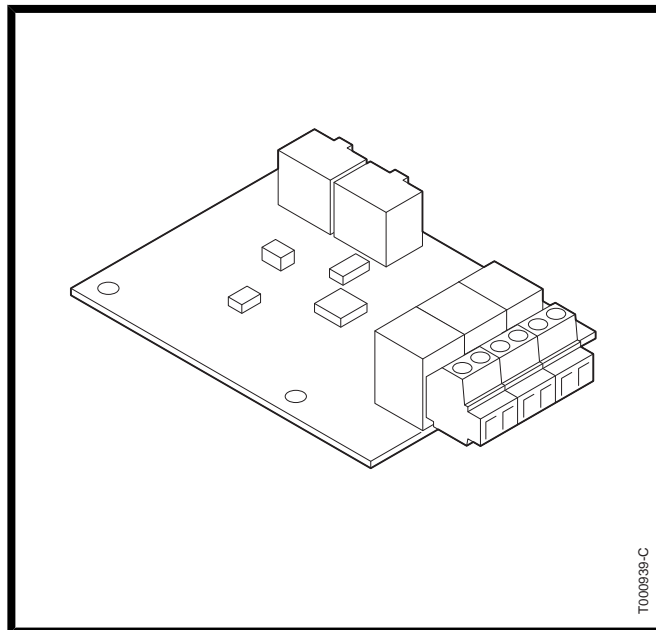
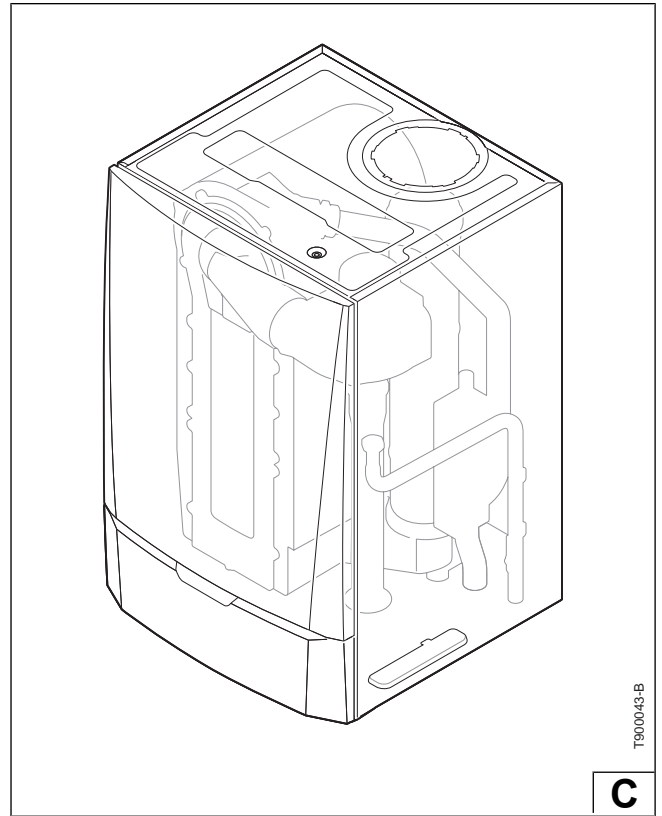
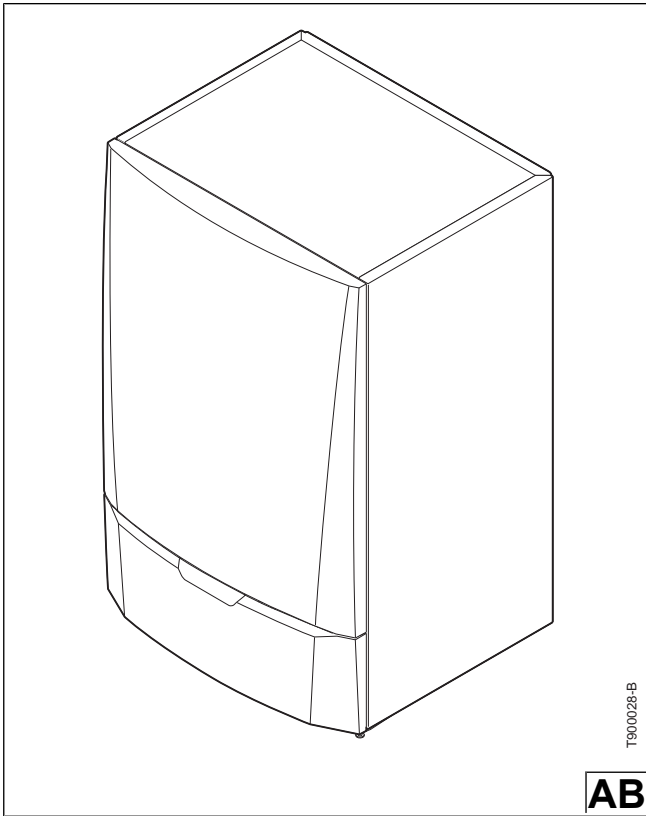


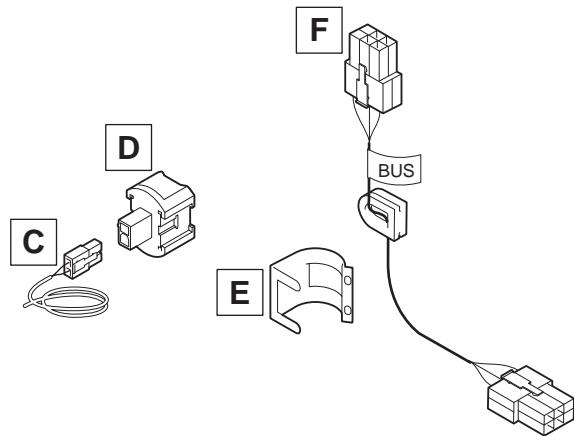
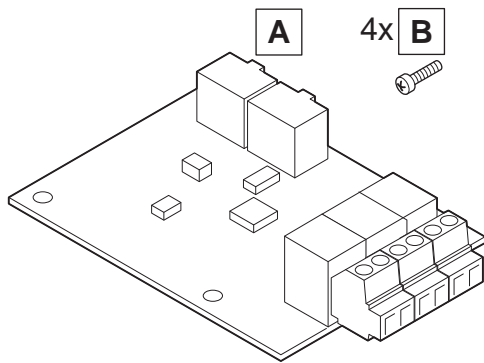
**Montage instructie**  
**Assembly instructions**  
**Instructions de montage**  
**Montageanweisung**  
**Instrucciones para el montaje**  
**Istruzioni di montaggio**

**Besturingsprint SCU-S03**  
**Electronic print SCU-S03**  
**SCU-S03 Platine**  
**SCU-S03 Platine**  
**Circuito impresso SCU-S03**  
**Stampa SCU-S03**

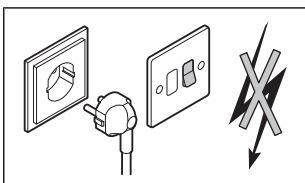


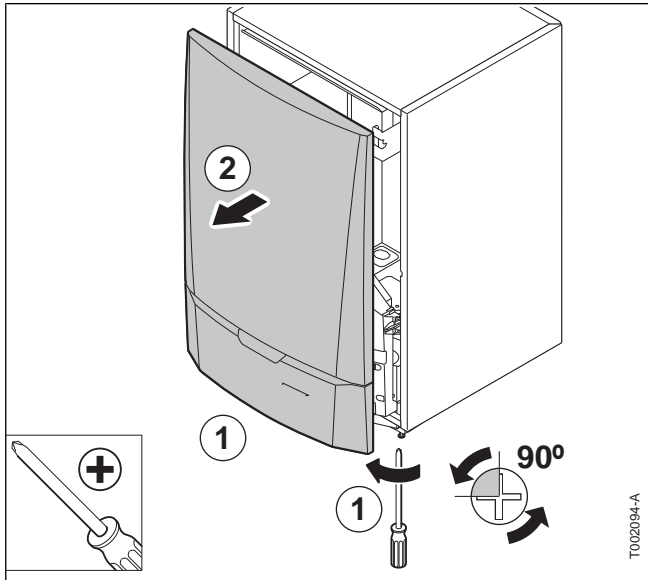


**Inhoud verpakking**  
**Set contents**  
**Contenu du kit**  
**Inhalt des Bausatzes**  
**Contenido del paquete**  
**Contenuti del pacchetto**



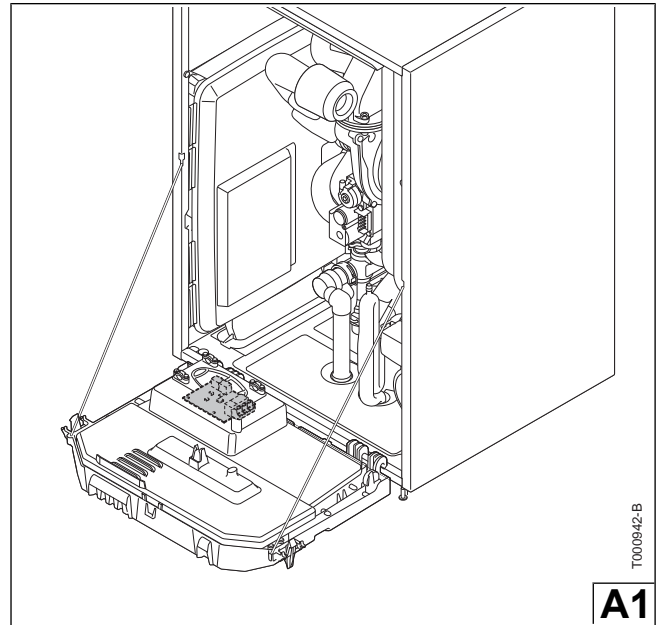
T000941-E



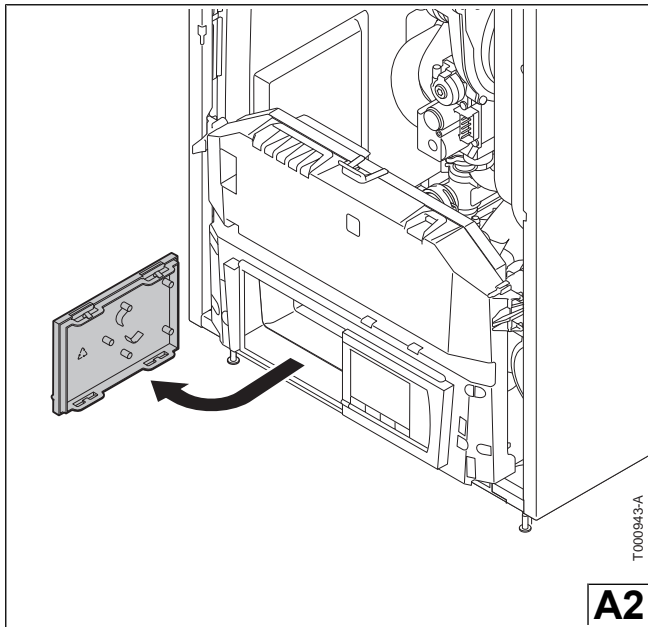


T000944-A

**A1**

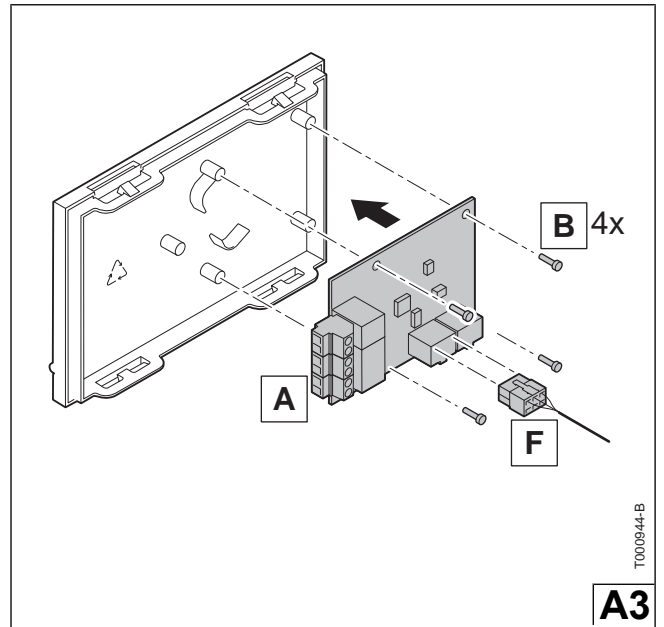


T000942-B



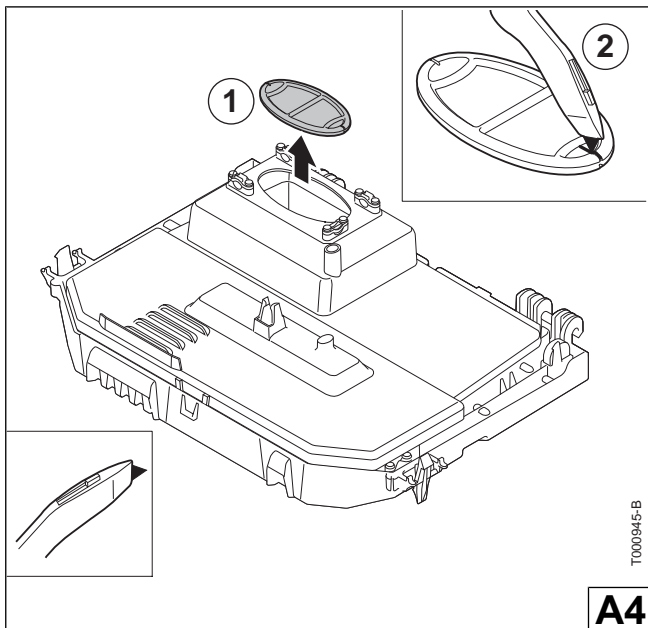
T000943-A

**A2**



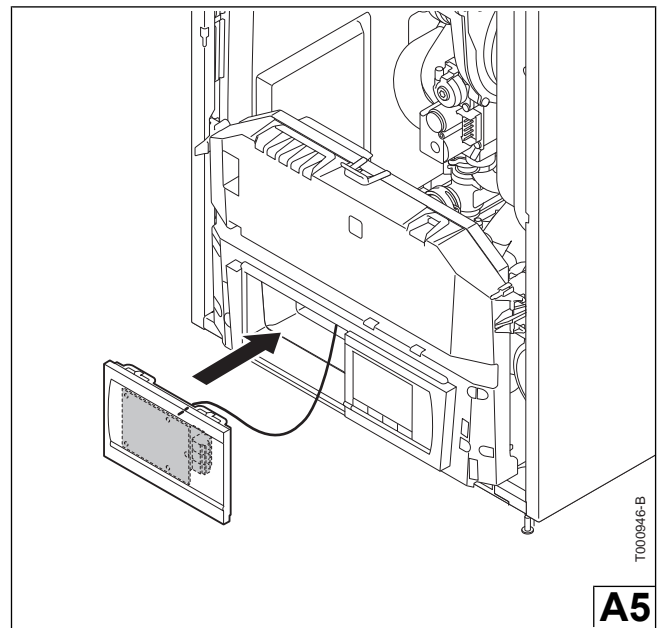
T000944-B

**A3**



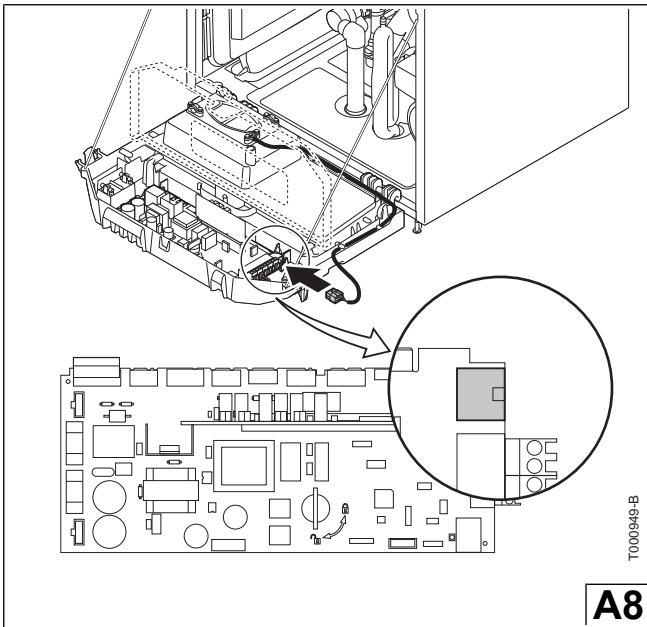
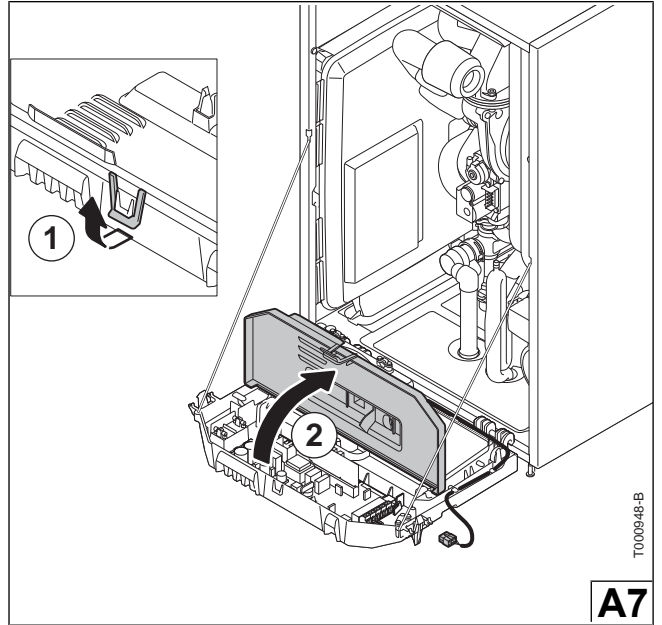
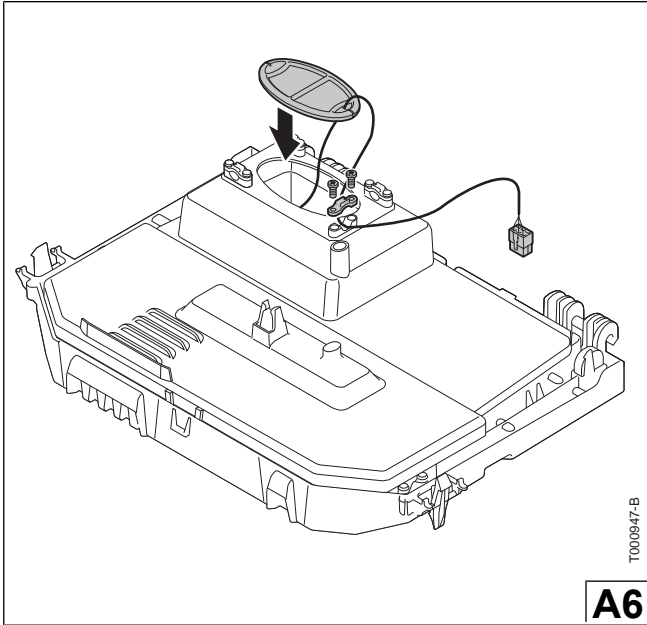
T000945-B

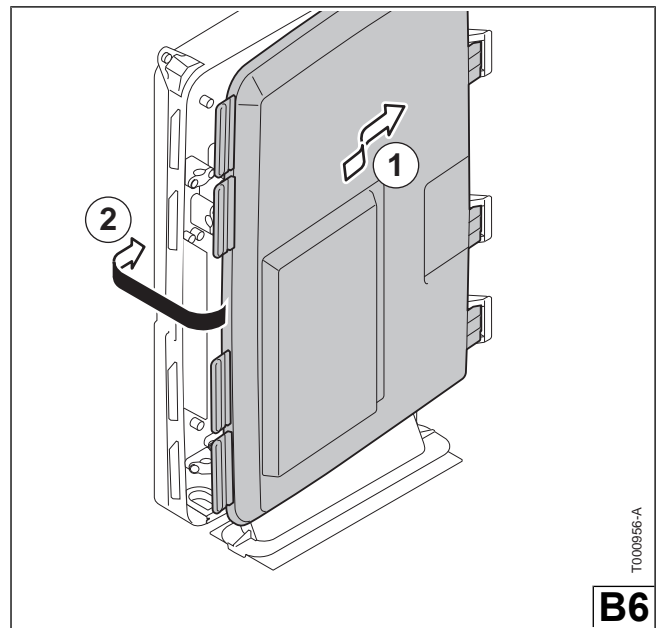
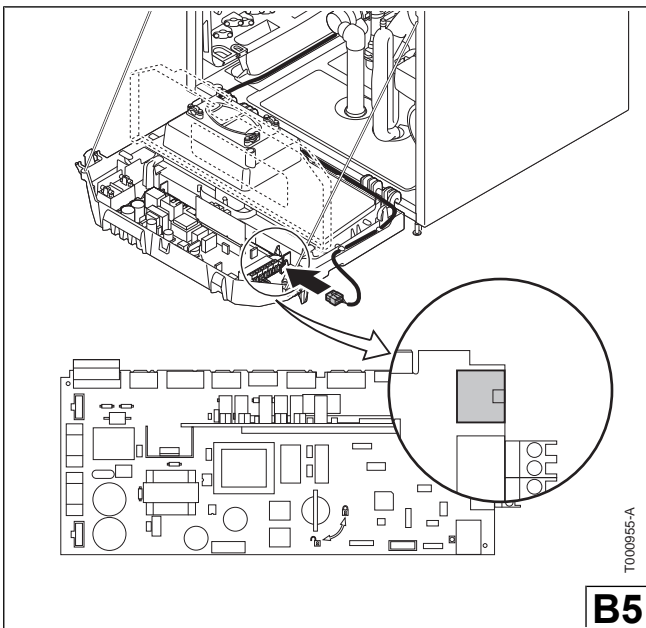
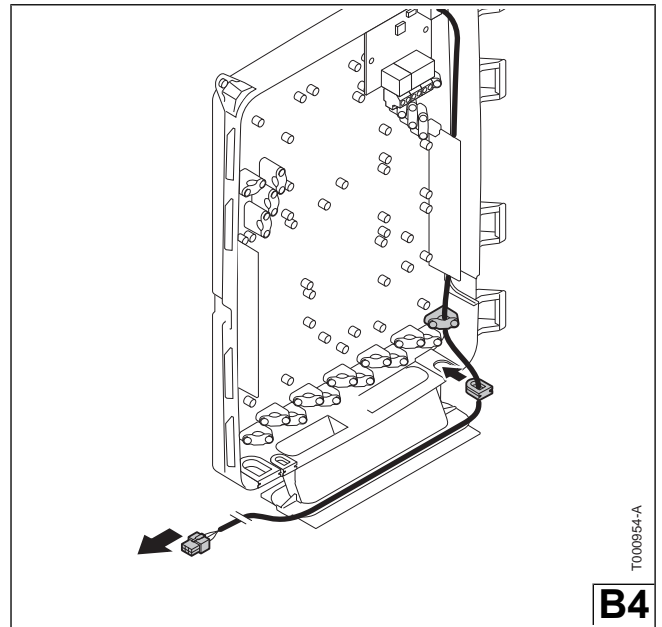
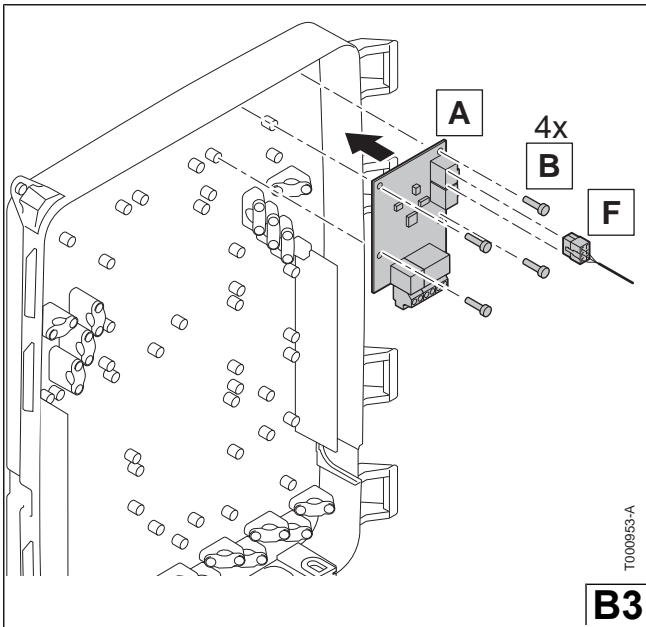
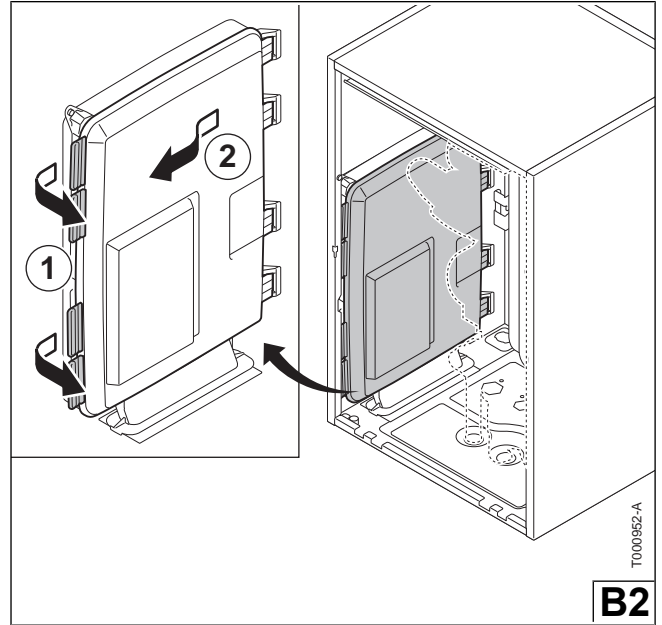
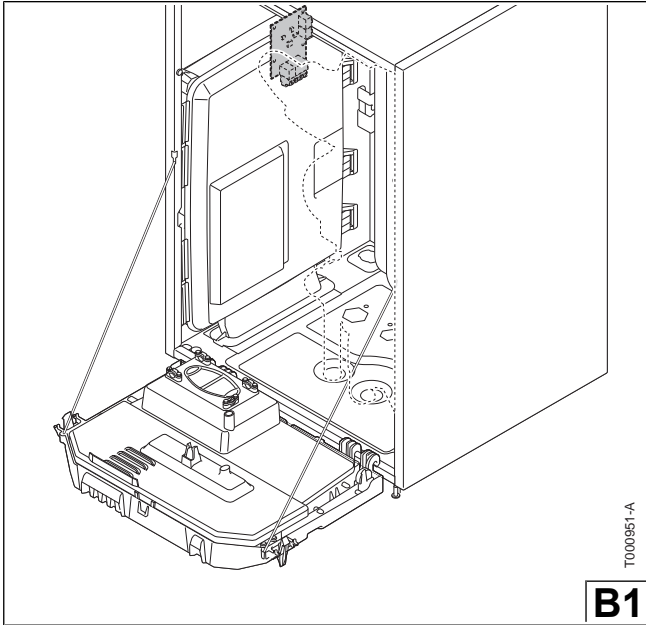
**A4**

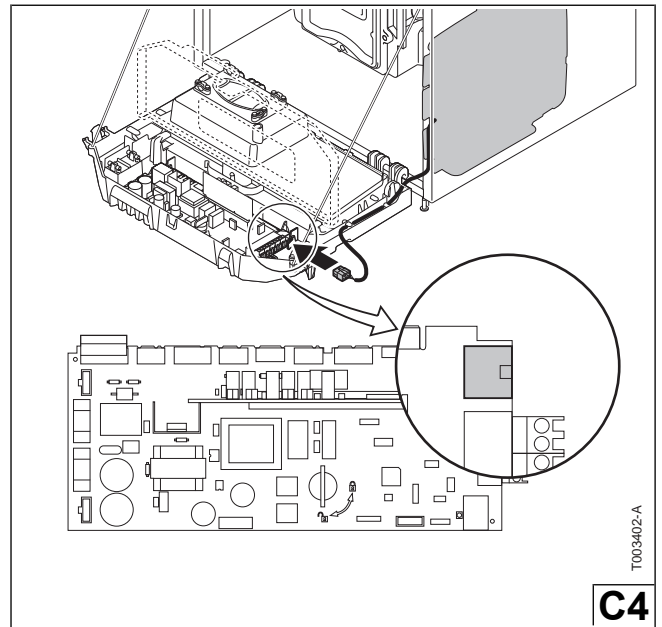
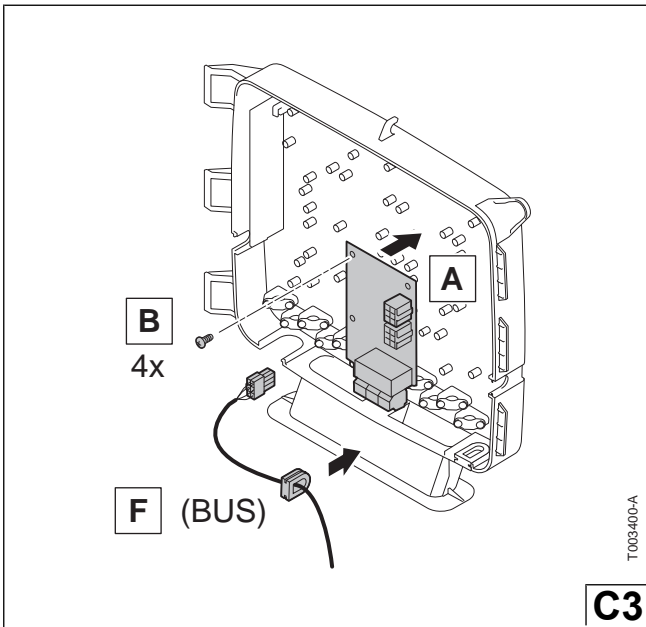
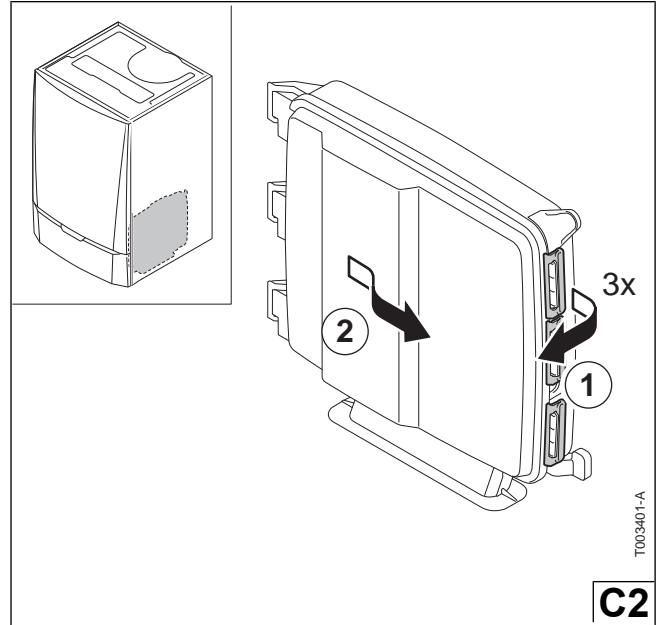
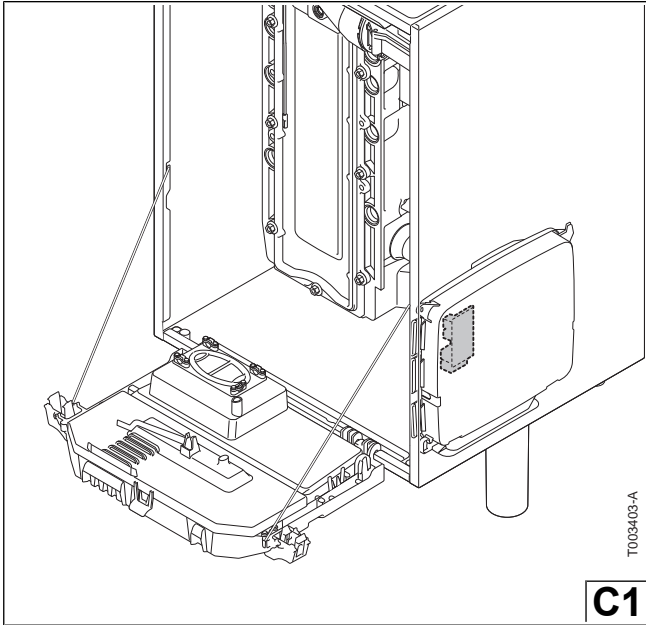


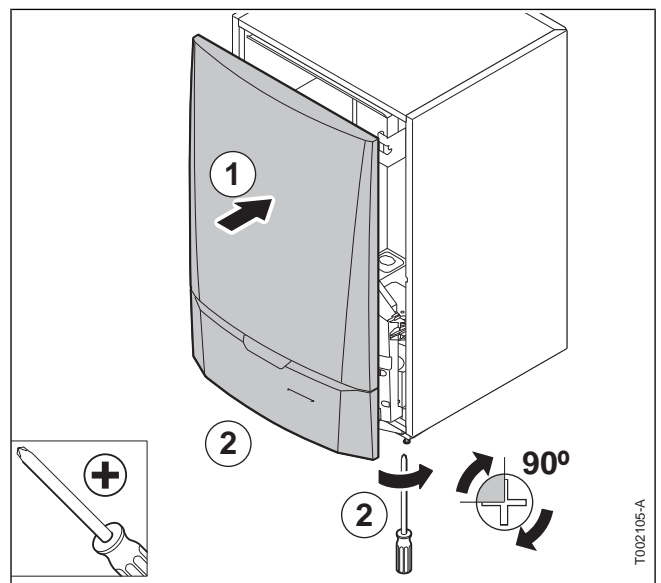
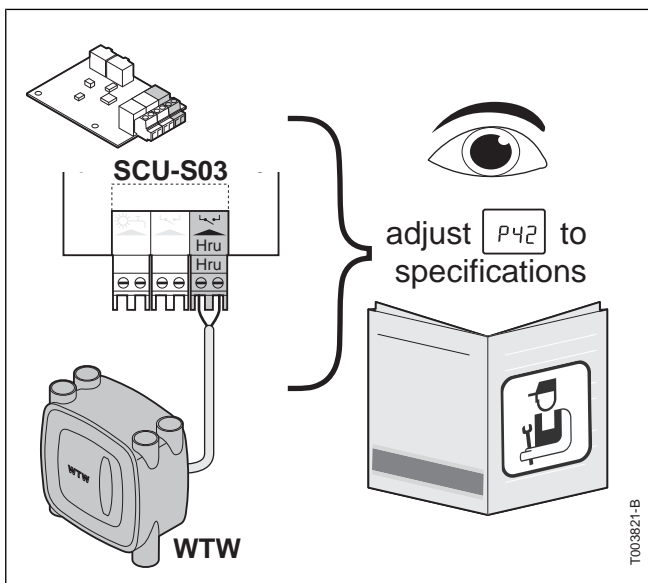
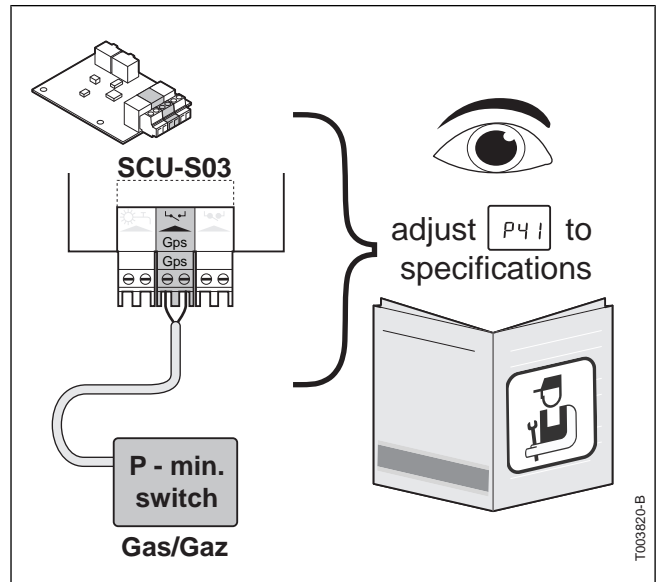
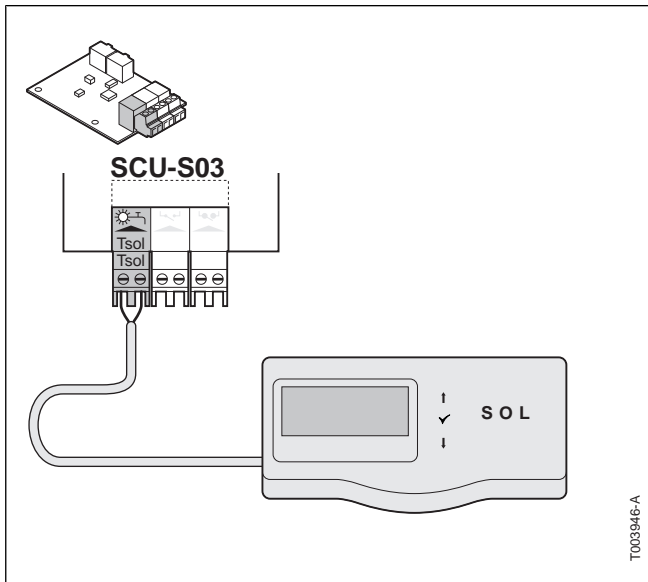
T000946-B

**A5**

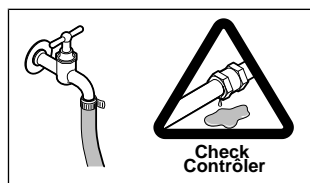
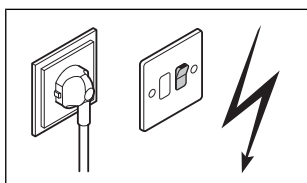








<b>(NL)</b>	Controleer de instelling van de parameters, zie de installatie- en servicehandleiding van de ketel.
<b>(EN)</b>	Check the parameter settings, refer to the installation and service manual of the boiler.
<b>(FR)</b>	Contrôler le réglage des paramètres, se reporter à la notice d'installation et d'entretien de la chaudière.
<b>(DE)</b>	Einstellung der Parameter prüfen, siehe Installations- und Wartungsanleitung des Heizkessels.
<b>(ES)</b>	Comprobar el ajuste de los parámetros, consultar las instrucciones de instalación y mantenimiento de la caldera.
<b>(IT)</b>	Controllare la regolazione dei parametri, fare riferimento alle istruzioni di installazione e di manutenzione della caldaia.



© **Copyright**

All technical and technological information contained in these technical instructions, as well as any drawings and technical descriptions supplied, remain our property and shall not be multiplied without our prior consent in writing.

Ours is a policy of continuous development. We reserve the right to alter specifications without prior notification.

Subject to alterations.

121568-090611



121568