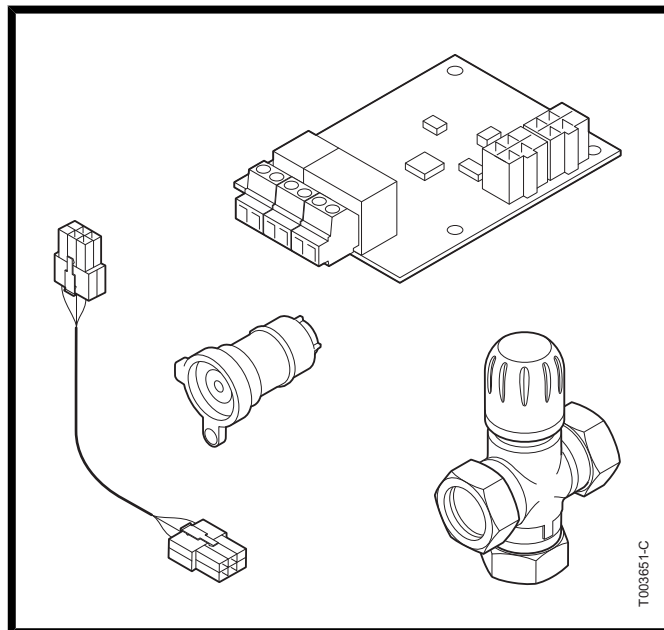
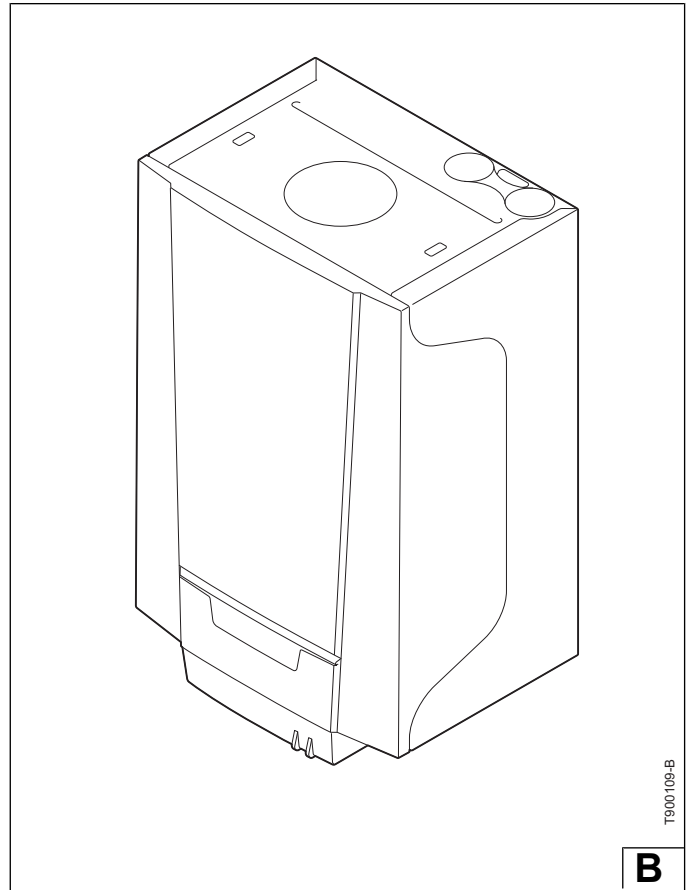
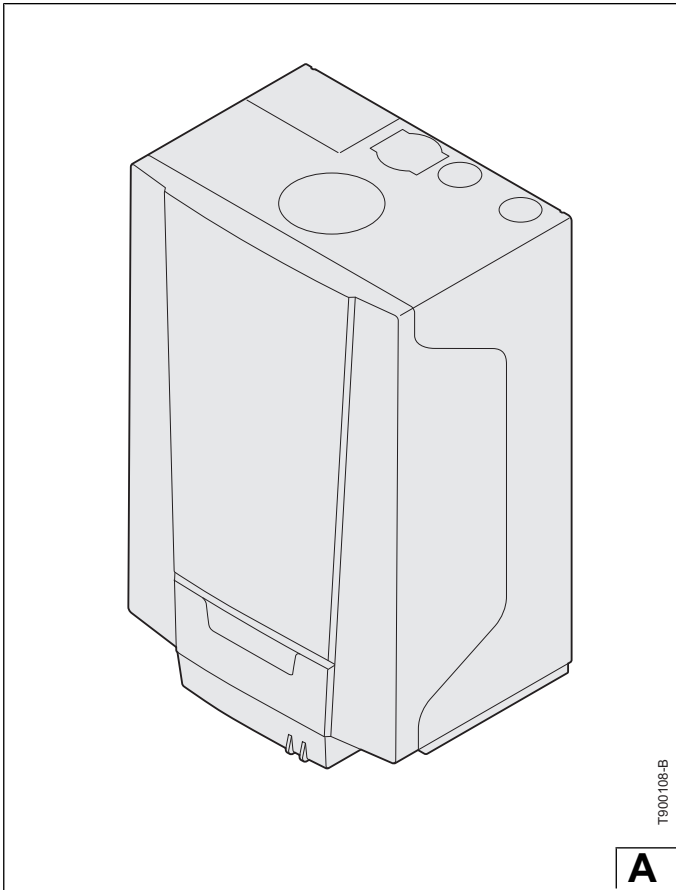


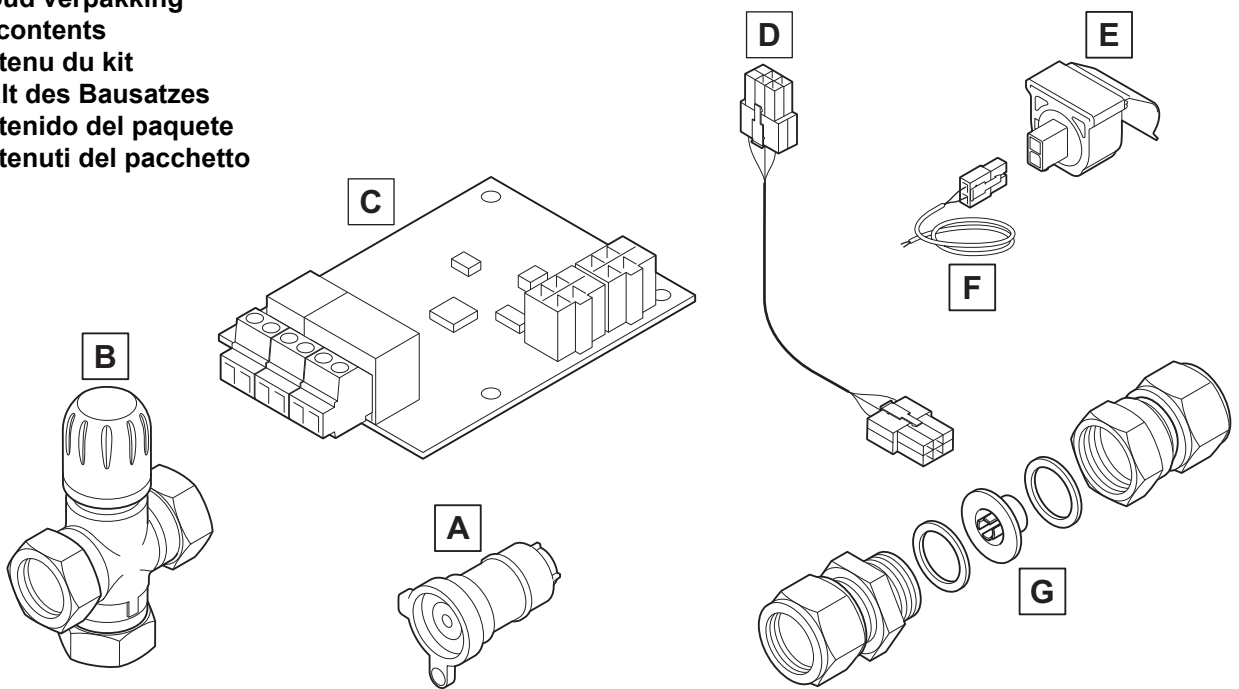
**Montage instructie**  
**Assembly instructions**  
**Instructions de montage**  
**Montageanweisung**  
**Instrucciones para el montaje**  
**Istruzioni di montaggio**

**Zonneboiler aansluitset**  
**Solar boiler connection kit**  
**Kit de branchement de chaudière solaire**  
**Verbindungssatz Solarheizkessel**  
**Kit de conexión de la caldera solar**  
**Kit di collegamente caldaia solare**



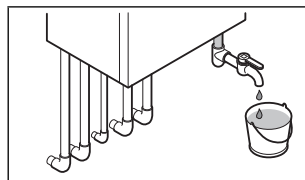
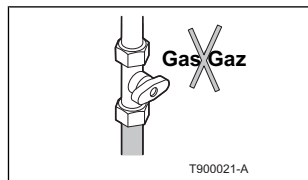
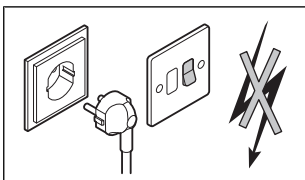


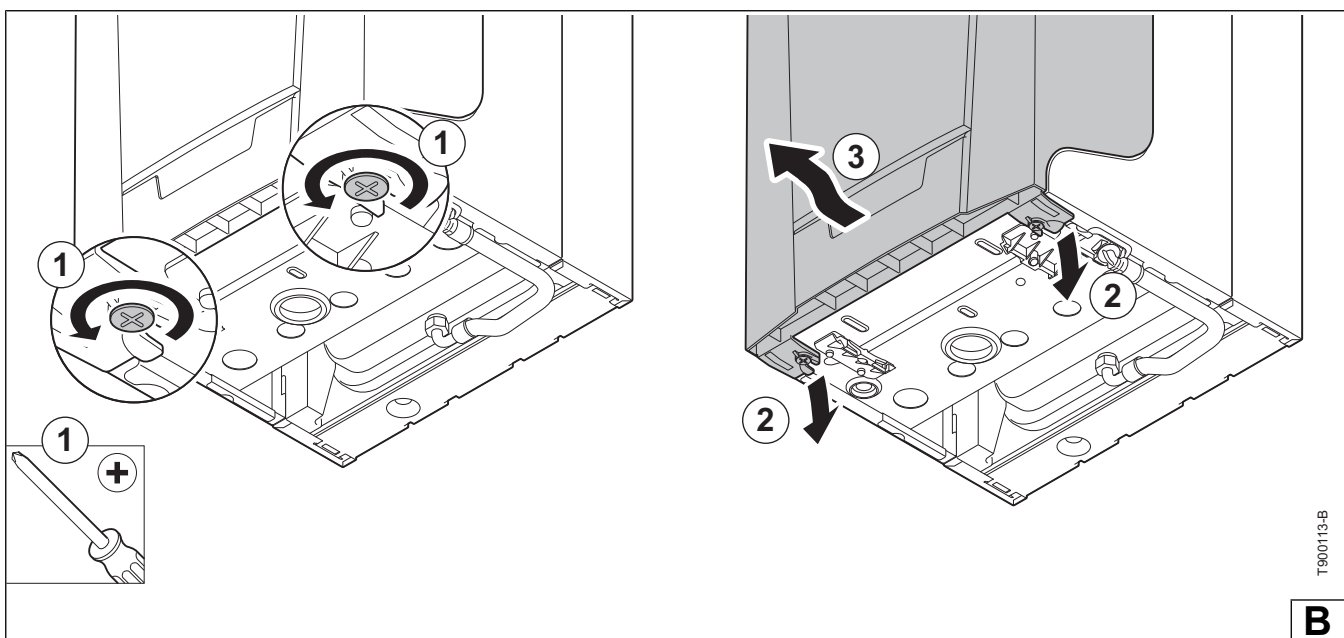
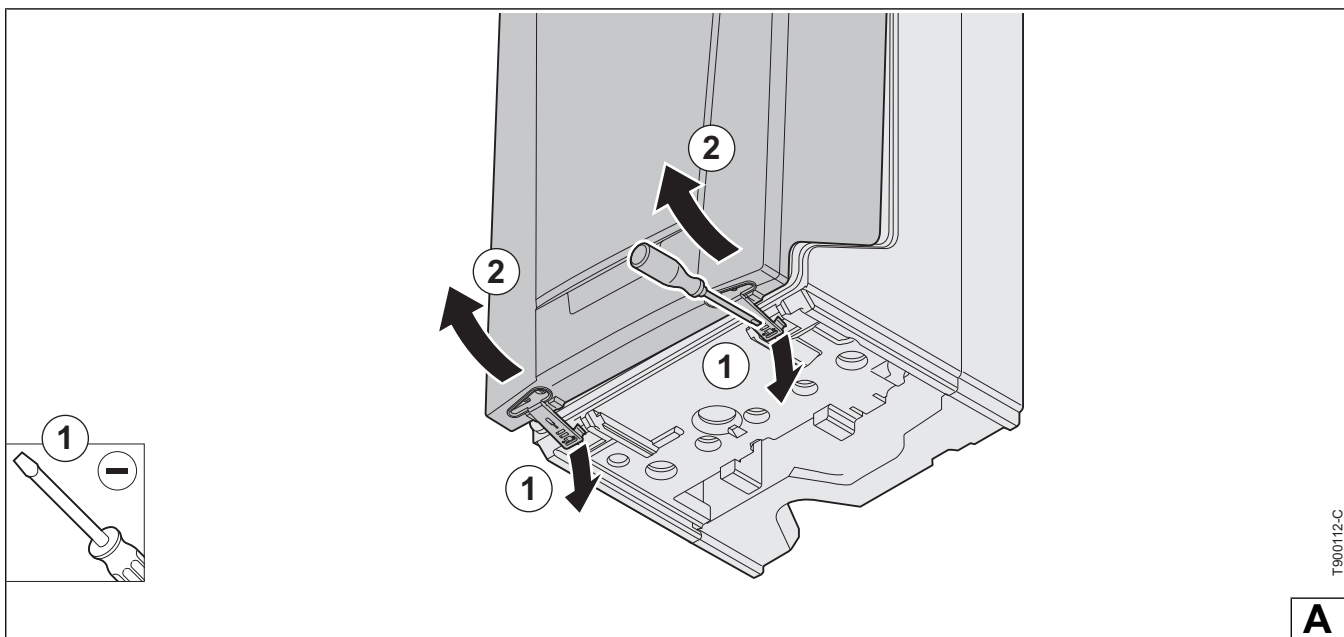
**Inhoud verpakking**  
**Set contents**  
**Contenu du kit**  
**Inhalt des Bausatzes**  
**Contenido del paquete**  
**Contenuti del pacchetto**

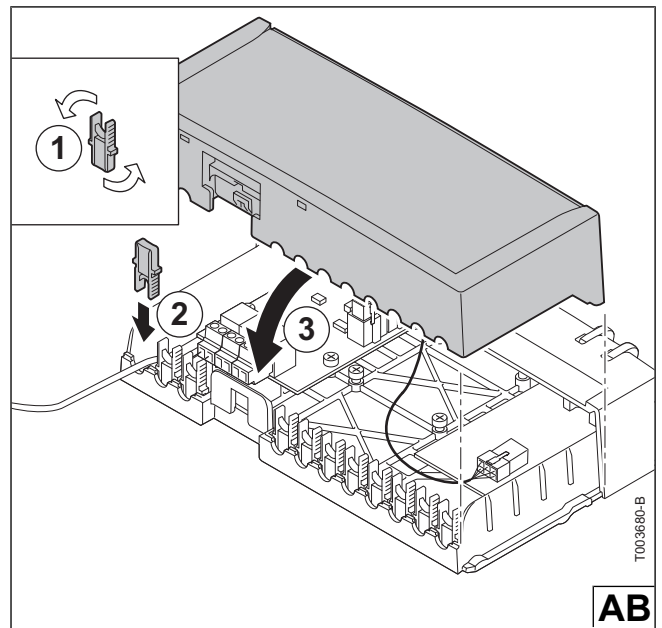
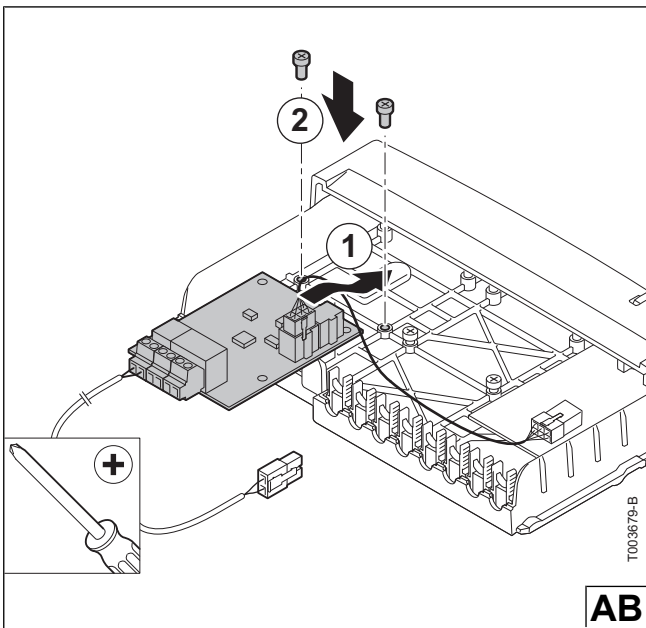
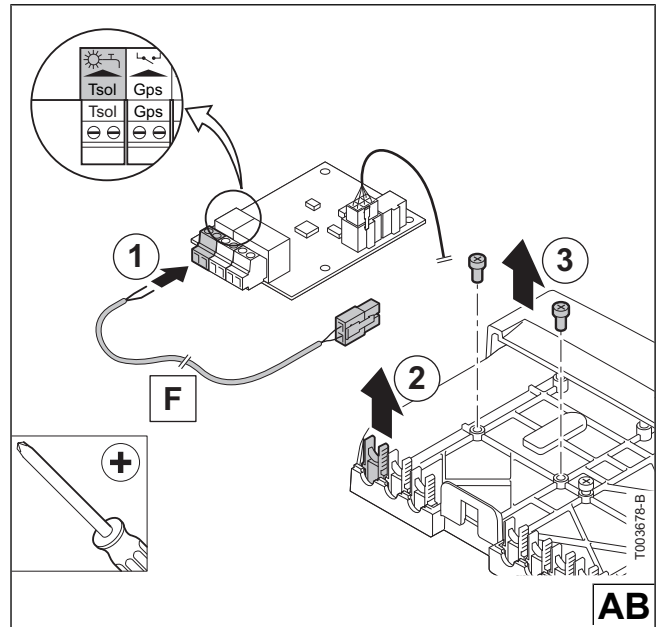
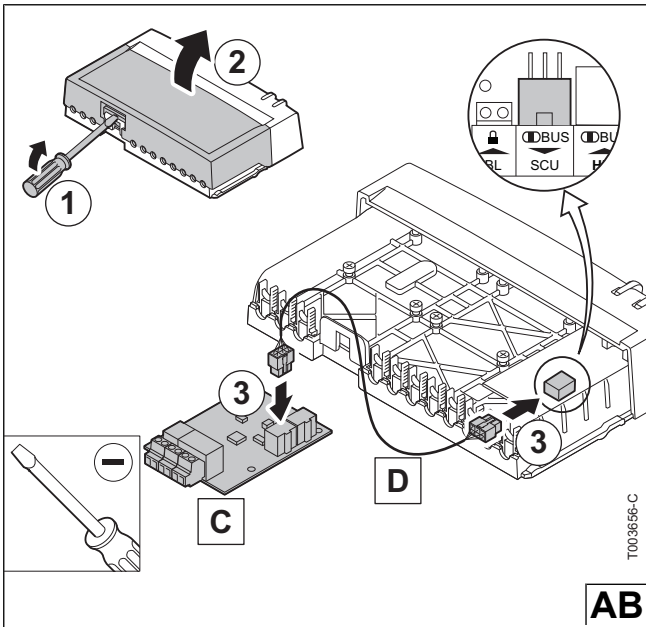
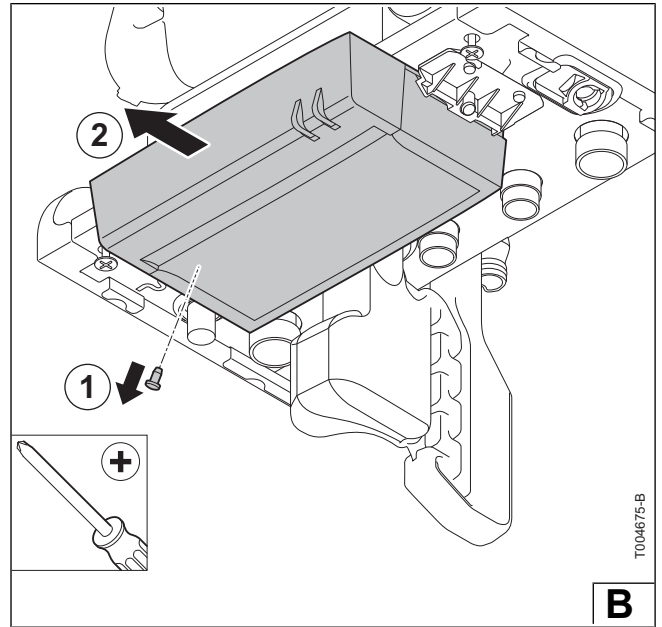
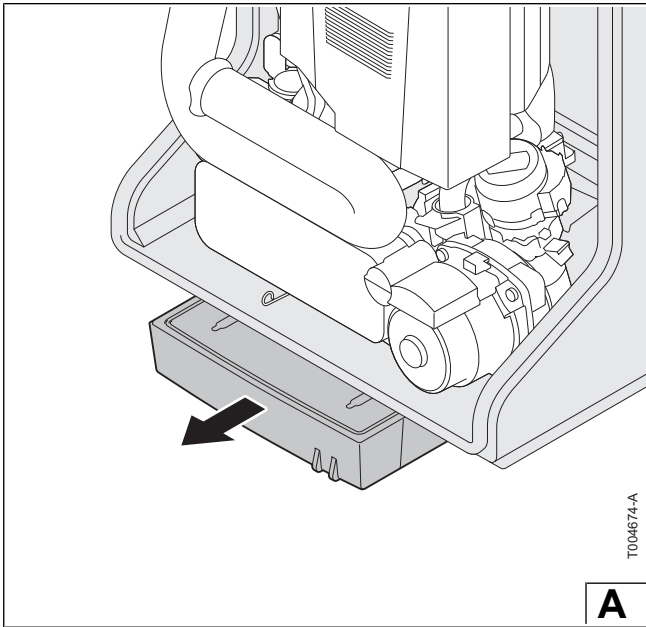


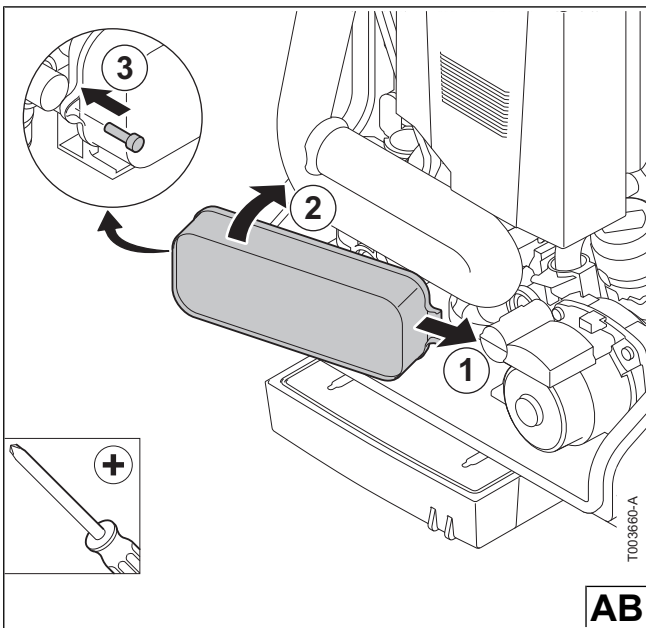
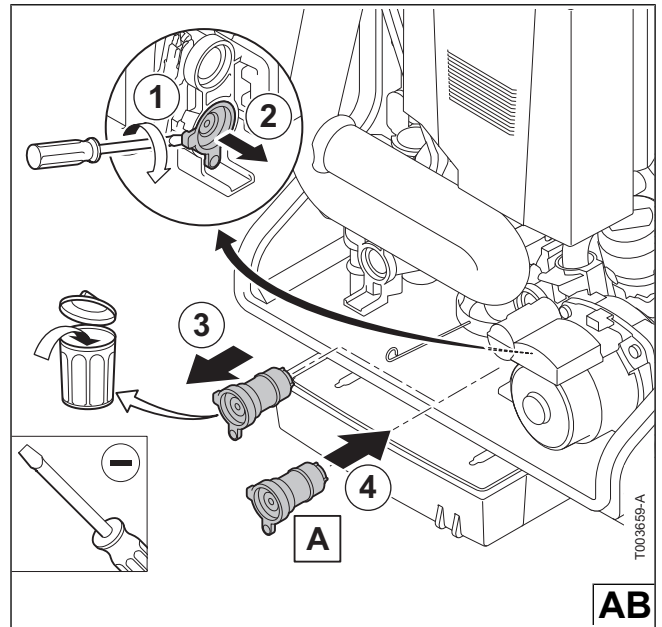
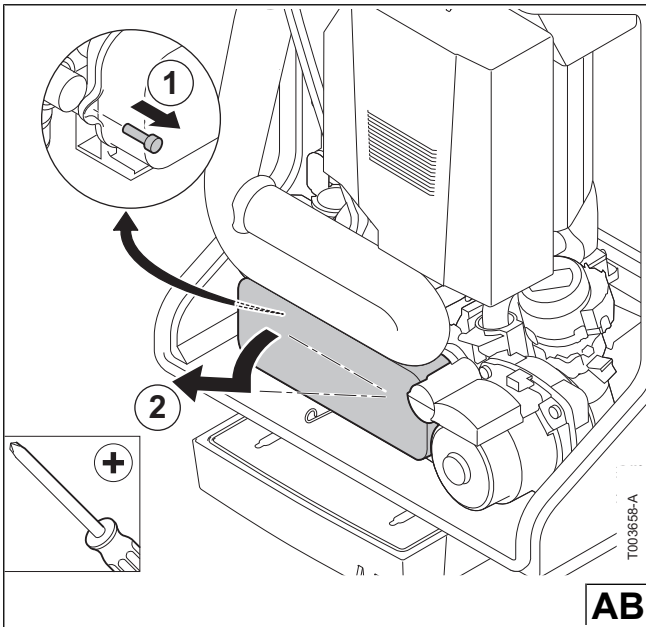
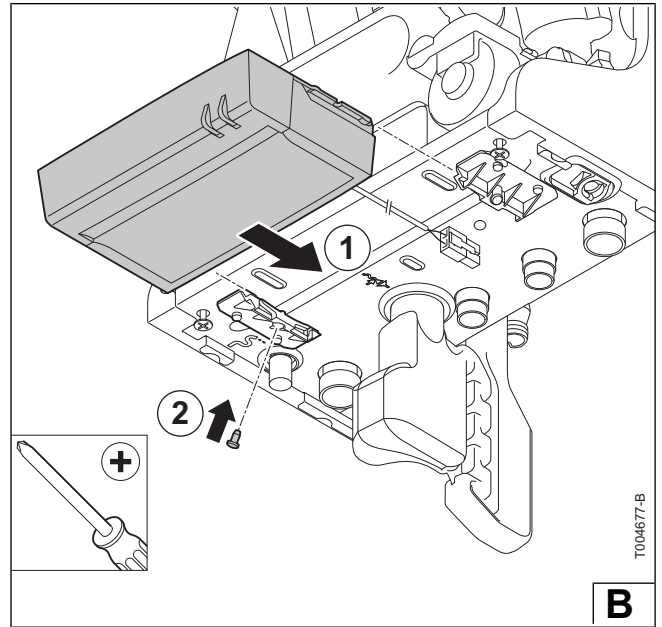
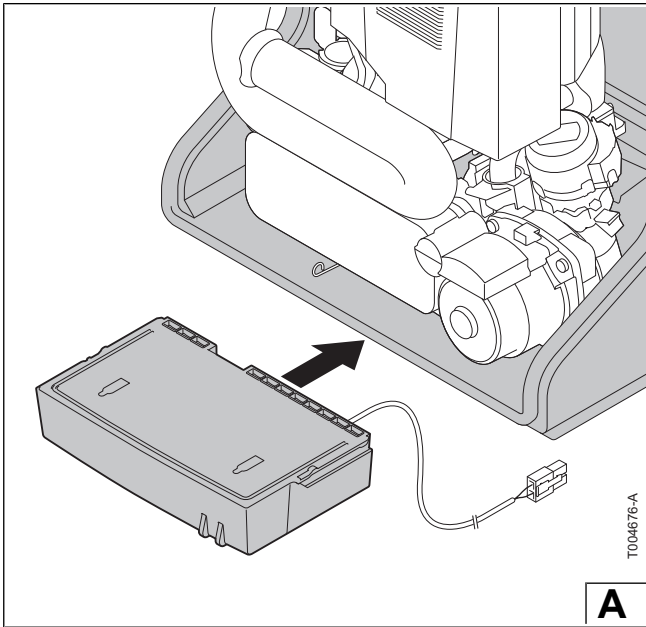
T003662-C

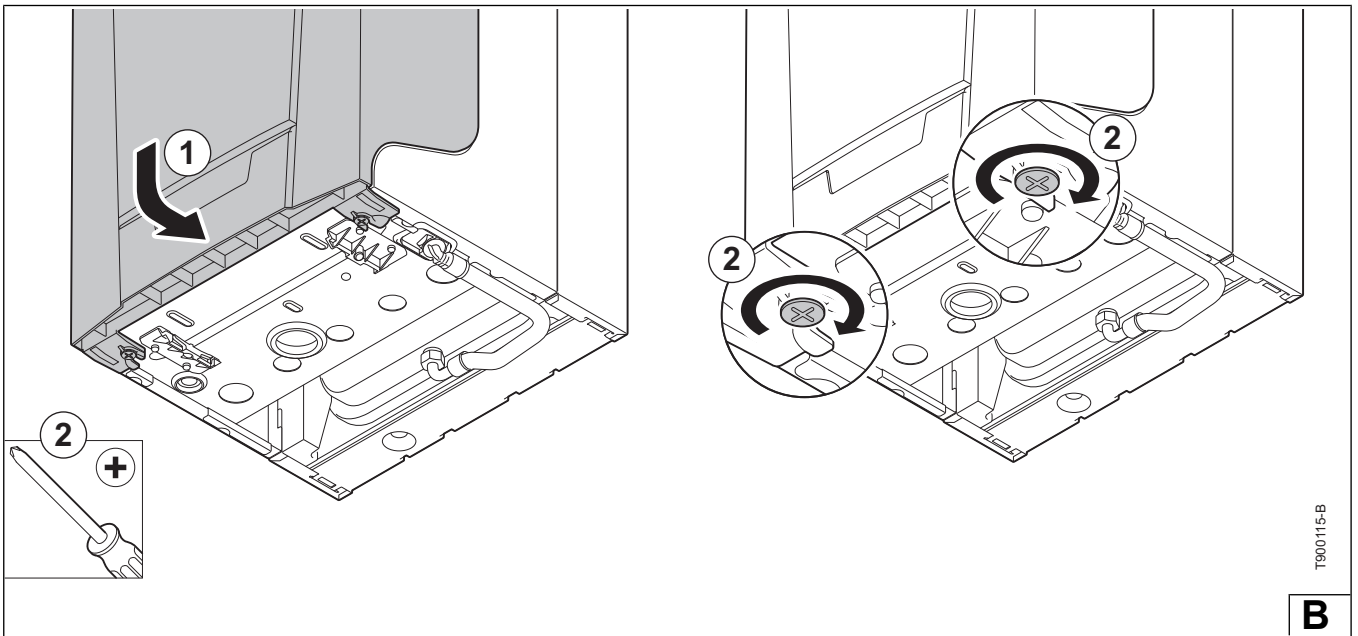
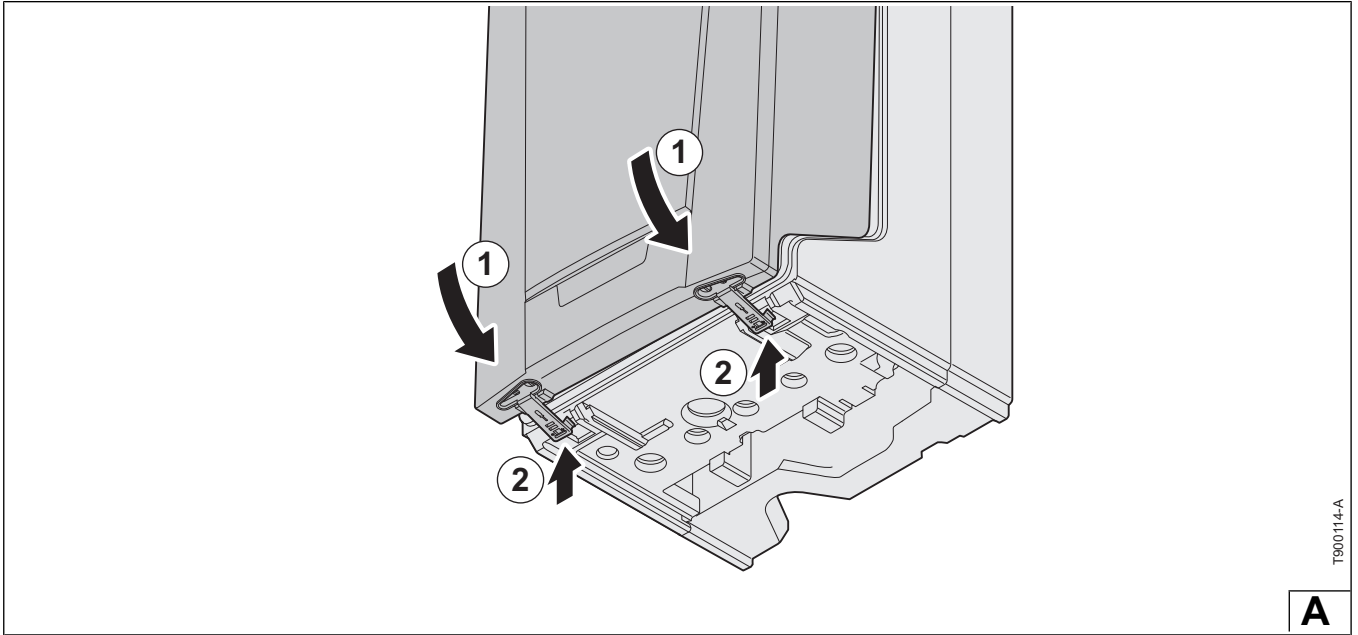
**AB**



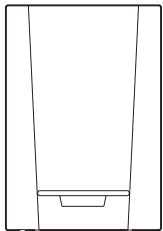
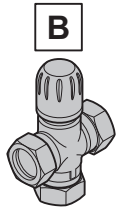




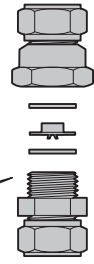
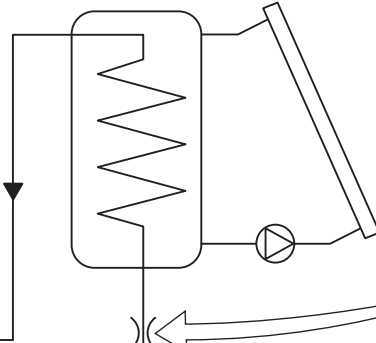
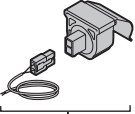




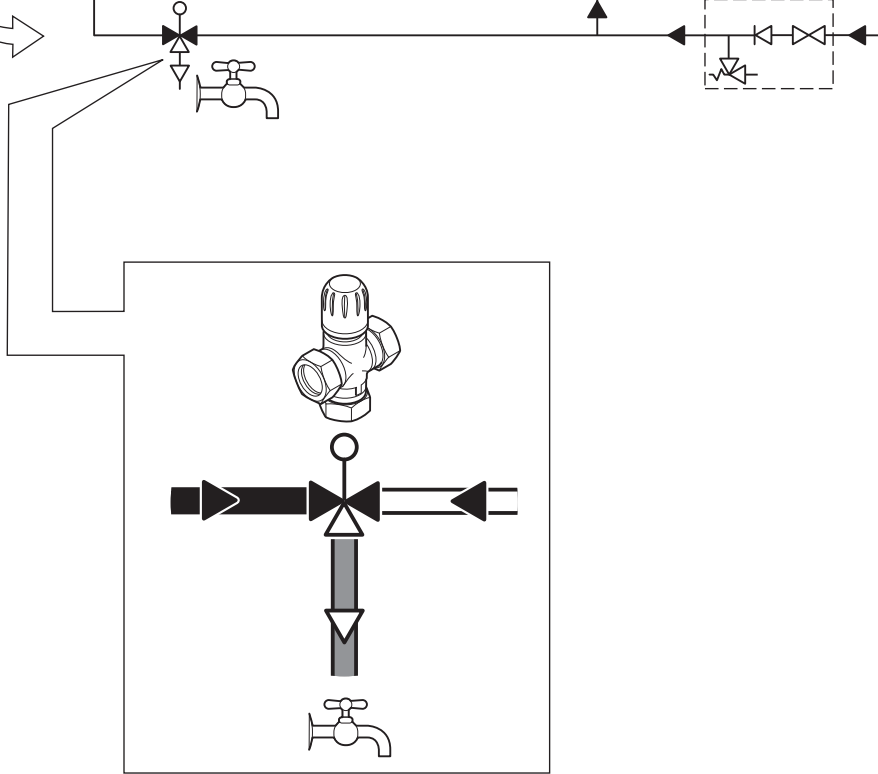
24/28/39 kW



F

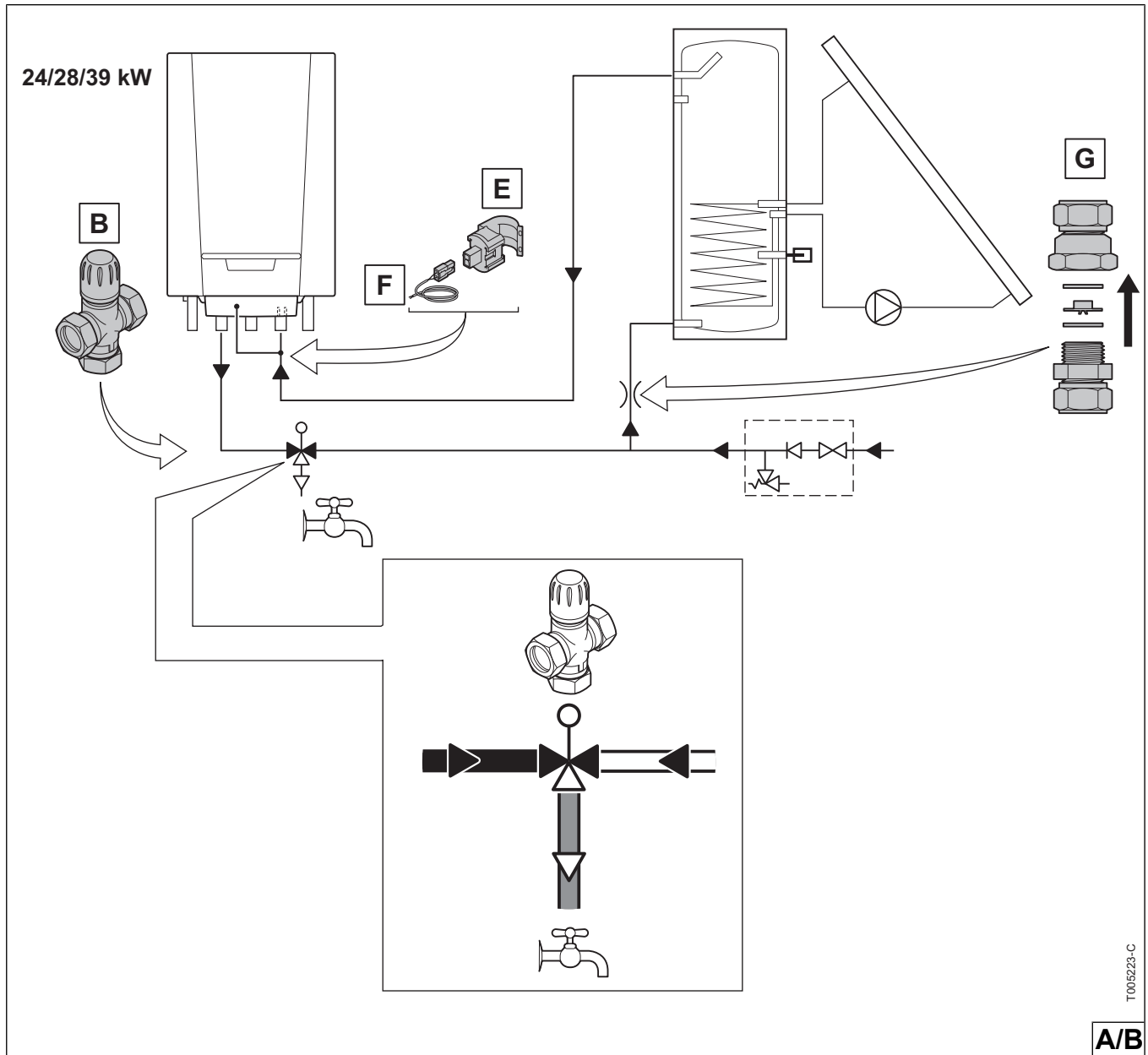


G



F000325-A

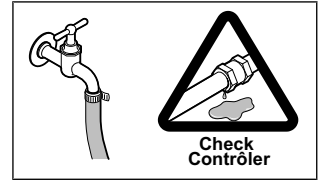
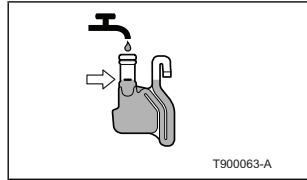
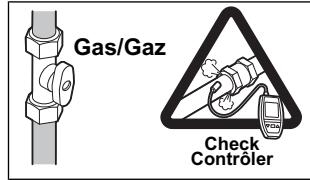
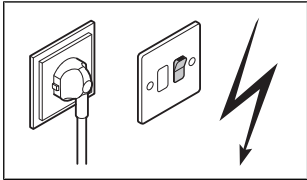
A/B



G l/min	kW	Kleur Restrictiering	Colour Restriction ring	Couleur Bague de restriction	Farbe Drosselring	Color Anillo de restricción	Colore Anella di restrizione
7	24	Groen	Green	Vert	Grün	Verde	Verde
9	28	Lila - Paars	Lilac - Purple	Lilas - Violet	Lila - Violet	Lila - Púrpura	Lilla - Viola
12	40	Wit	White	Blanc	Weiß	Blanco	Bianco

<b>Ventiel eerst helemaal open (T=70°C) = max. Dan 2 (2x 360°) slagen dicht met tolerantie ± ¼ slag (T= 60 °C)</b>
<b>First fully open valve (T=70°C) = max. Then turn 2 (2x 360°) to close with a tolerance of ± ¼ turn (T= 60°C)</b>
<b>Valve d'abord complètement ouverte (T=70 °C) = max. Ensuite 2 (2x 360°) fois fermées avec une tolérance de ± ¼ coup(T= 60 °C)</b>
<b>Ventil zuerst ganz öffnen (T=70 °C) = max. Dann 2 (2x 360°) Umdrehungen zudrehen mit ± ¼-Umdrehung Toleranz (T= 60 °C)</b>
<b>En primer lugar, abrir totalmente la válvula (T=70 °C) = máx. A continuación, girar 2 veces (2x 360°) para cerrar con una toleranciade giro de ± ¼ (T= 60 °C)</b>
<b>Dapprima, aprire completamente la valvola (T=70 °C) = max. Quindi ruotarla 2 volte (2x 360°) per chiuderla con una tolleranzadi ± ¼ di giro (T= 60 °C)</b>









**© Copyright**

All technical and technological information contained in these technical instructions, as well as any drawings and technical descriptions supplied, remain our property and shall not be multiplied without our prior consent in writing.

Ours is a policy of continuous development. We reserve the right to alter specifications without prior notification.

Subject to alterations.

126858-02



126858