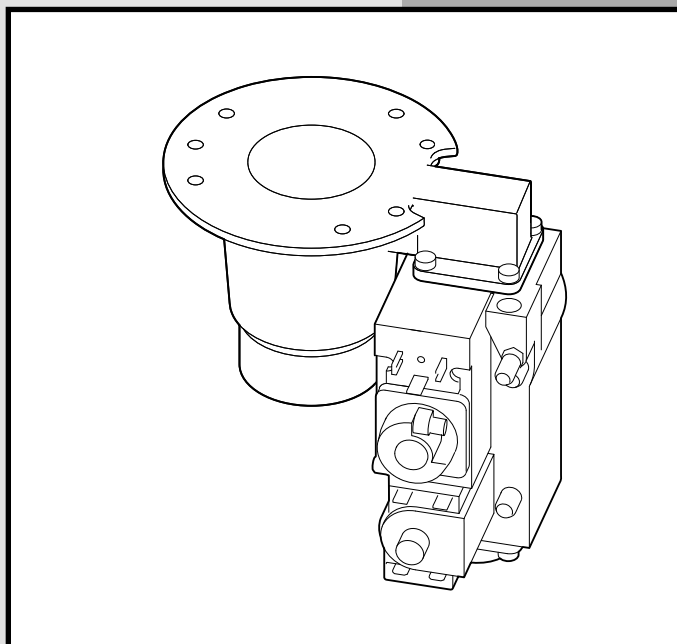


Assembly instructions
Instructions de montage

C230-Propane kit
80/120 kW

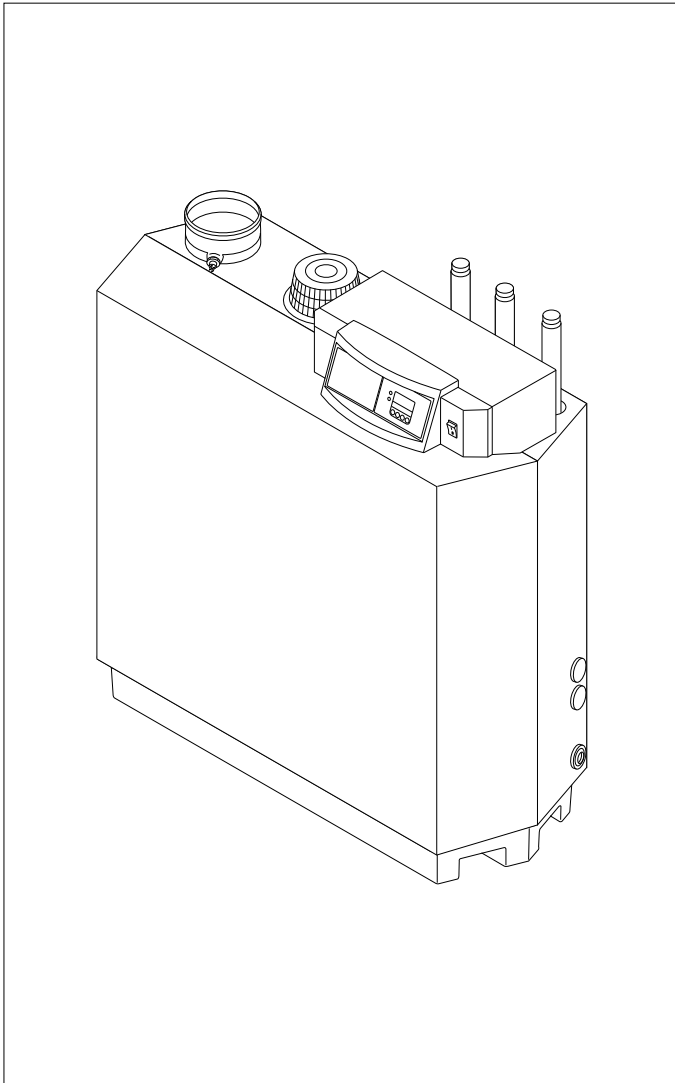
C230-Kit propane
80/120 kW



Before installing, first read the additional safety instruction for USA and Canada which is included with this part.



Avant installer, lisez les instructions de securite supplementaires pour Canada et les Etats Unis. Le document a ete ajoute a cette de piece.



! WARNING

This conversion kit shall be installed by a qualified service agency in accordance with the manufacturer's instructions and all applicable codes and requirements of the authority having jurisdiction. If the information in these instructions is not followed exactly, a fire, an explosion or production of carbon monoxide may result causing property damage, personal injury or loss of life. The qualified service agency is responsible for the proper installation of this kit. The installation is not proper and complete until the operation of the converted appliance is checked as specified in the manufacturer's instructions supplied with the kit.

"Caution the gas supply shall be shut off prior to disconnecting the electrical power, before proceeding with the conversion."

Instructions for checking out the normal operating sequence of the ignition system are in the installation manual.(Operating principle)

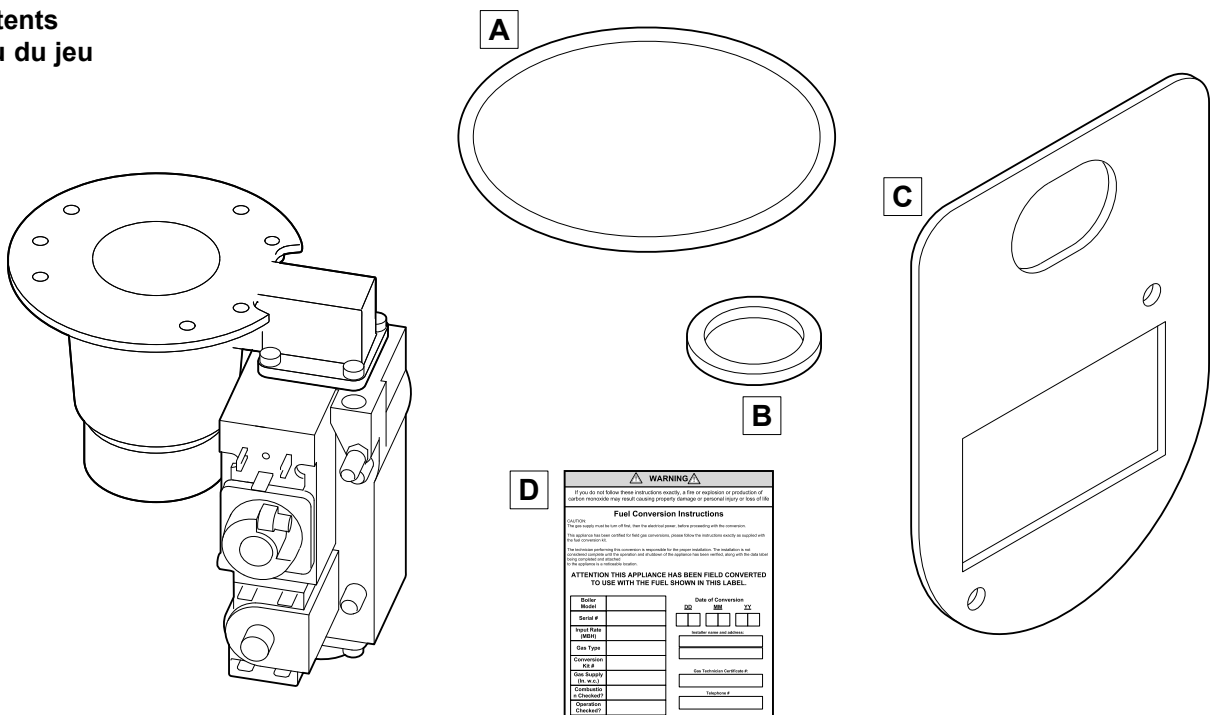
! ATTENTION

Ce kit de conversion doit être installé par un prestataire de services qualifié, conformément aux instructions du fabricant et à tous les codes et exigences applicables de l'autorité compétente. Si les informations présentes dans ces instructions ne sont pas respectées strictement, il peut en résulter un incendie, une explosion ou la production de monoxyde de carbone, pouvant provoquer des dégâts matériels, des blessures ou la mort. Le prestataire de services qualifié est responsable de l'installation correcte de ce kit. L'installation n'est correcte et terminée que lorsque le fonctionnement du dispositif converti est vérifié selon les instructions du fabricant fournies avec le kit.

« Attention : l'arrivée de gaz doit être coupée avant de déconnecter l'alimentation électrique, et avant de procéder à la conversion. »

Les instructions de vérification de la séquence de fonctionnement normale du système d'allumage sont indiquées dans le manuel d'installation (Principe de fonctionnement).

**Set contents
Contenu du jeu**



! WARNING

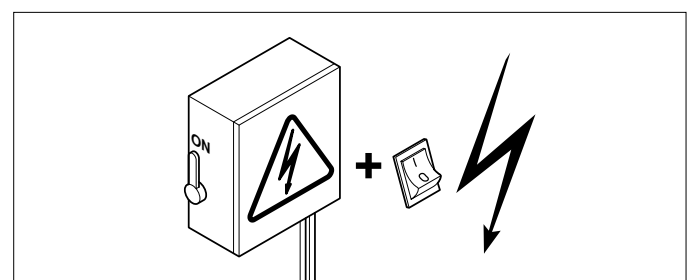
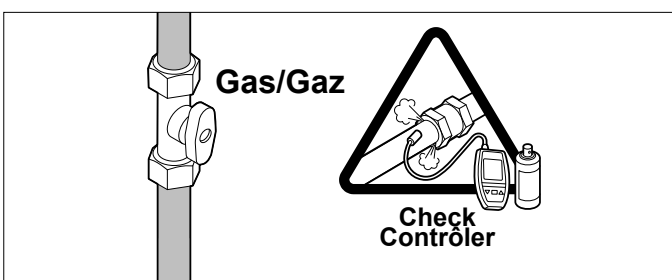
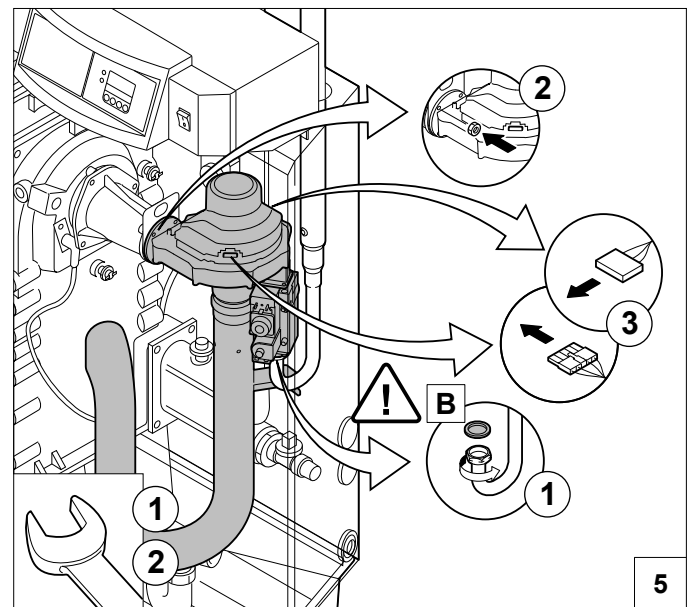
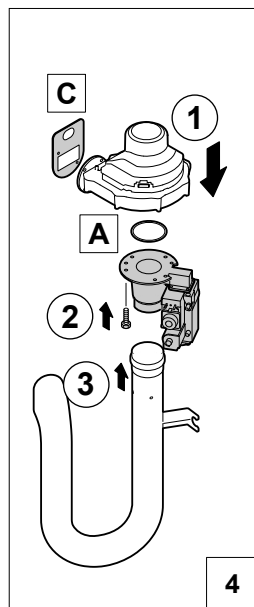
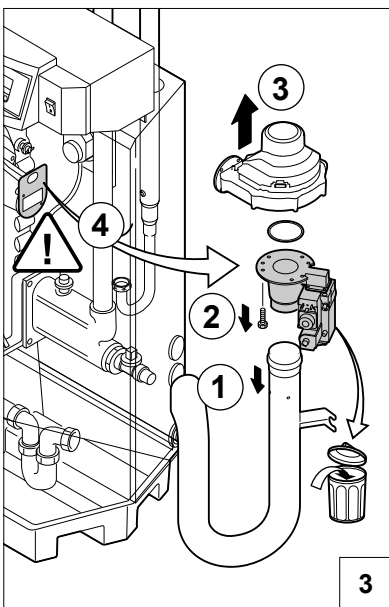
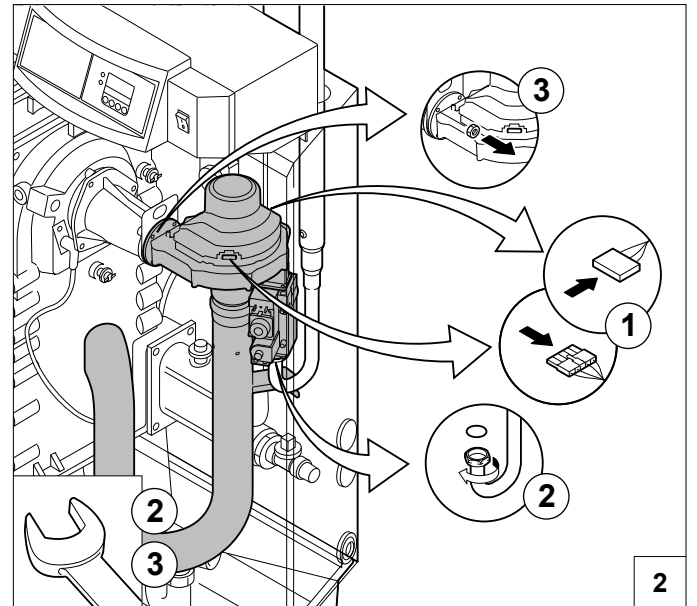
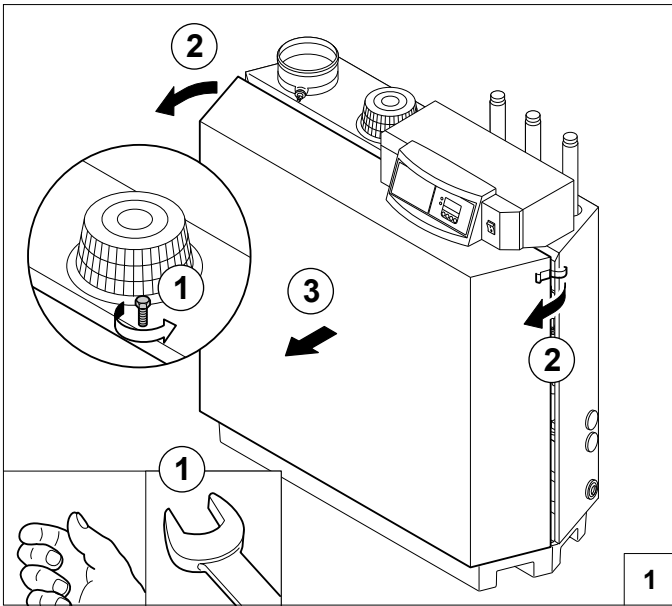
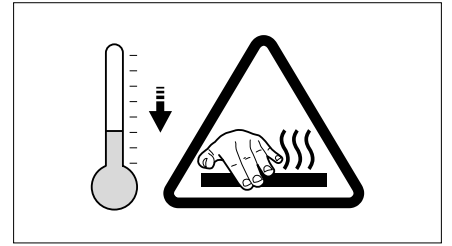
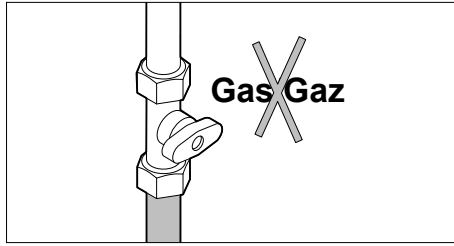
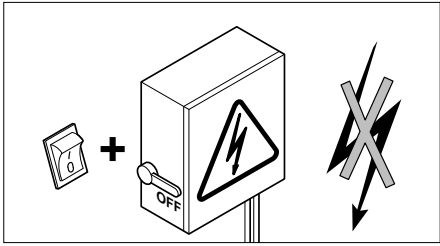
If you do not follow these instructions exactly, a fire or explosion or production of carbon monoxide may result causing property damage, personal injury or loss of life.

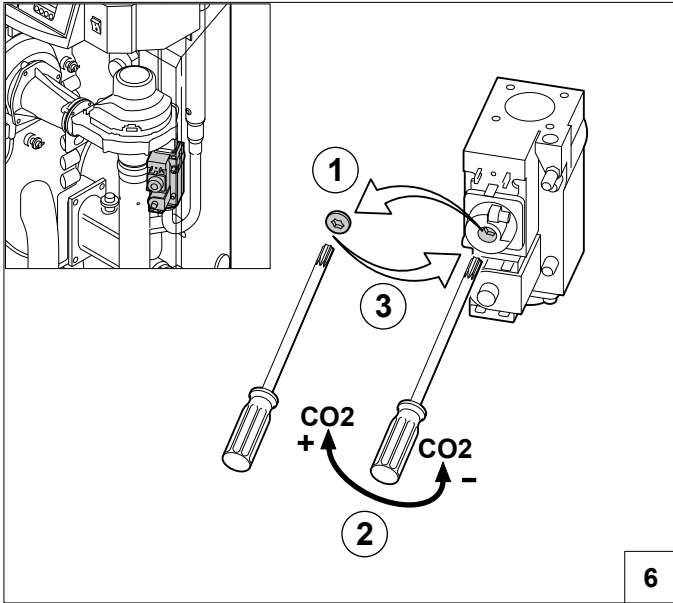
Fuel Conversion Instructions

CAUTION: The appliance must be installed by a qualified service agency. Follow the instructions exactly as supplied with this kit. Do not modify the appliance. The appliance must be installed in accordance with the manufacturer's instructions and all applicable codes and requirements of the authority having jurisdiction. The installation is not proper and complete until the operation of the converted appliance is checked as specified in the manufacturer's instructions supplied with the kit.

ATTENTION THIS APPLIANCE HAS BEEN FIELD CONVERTED TO USE WITH THE FUEL SHOWN IN THIS LABEL.

Model	Date of Conversion
Serial #	DD / MM / YY
Input Rate (Btu/h)	Initial date used (Month)
Gas Type	
Conversion Kit #	Gas Technician Certificate #
Installer (Name)	Telephone #
Operator (Name)	
Checklist	





- 1 Convert boiler as per instructions
- 2 Set (starting, full load, low load) speeds to the correct value (see table)
- 3 Adjust the boiler to the correct CO₂ level (see table)

O ₂ /CO ₂ setting values for propane (G31) at low load							
Boiler type	Fan speed (rpm)	CO ₂	Control margin	Setting margin	O ₂	Control margin	Setting margin
	Low load, $\boxed{L}:\boxed{3}$	%	%	%	%	%	%
210- 80 kW	1500	10.5	0.5	0.3	4.9	0.8	0.5
210- 120 kW	1400	10.5	0.5	0.3	4.9	0.8	0.5

Table 1: O₂ / CO₂ setting values for propane (G31) (front housing removed)

O ₂ /CO ₂ setting values for propane (G31) at full load							
Boiler type	Fan speed (rpm)	CO ₂	Control margin	Setting margin	O ₂	Control margin	Setting margin
	Full load, $\boxed{H}:\boxed{3}$	%	%	%	%	%	%
210- 80 kW	5600	10.0	0.7	n/a	5.7	1.3	n/a
210- 120 kW	6100*	10.0	0.7	n/a	5.7	1.3	n/a

Table 2: O₂ / CO₂ setting values for propane (G31) (front housing removed)

* USA and Canada max. 5600

Gas inlet pressure	12-20 inches w.c. (30-50mBar)		
Manifold pressure	N.A.		
Input rating Propane:			
80 kW	83 - 304 MBTU	(24.3 - 89 kW)	
120 kW	83 - 399 MBTU	(24.3 - 117 kW)	
160 kW	135 - 581 MBTU	(39.6 - 170 kW)	
200 kW	152 - 701 MBTU	(44.5 - 205 kW)	

- 1 Assemblez la chaudière selon les instructions
- 2 Réglez (démarrage-grande allure-petite allure) les rotations sur la valeur correcte (voir tableau)
- 3 Ajustez la chaudière sur le CO₂ correct (voir tableau)

Valeurs de réglage O ₂ /CO ₂ pour propane (G31) à petite allure							
Type de chaudière	Vitesse de rotation du ventilateur (t/min)	CO ₂	Marge de contrôle	Marge de réglage	O ₂	Marge de contrôle	Marge de réglage
	Petite allure 3	%	%	%	%	%	%
210- 80 kW	1500	10,5	0,5	0,3	4,9	0,8	0,5
210- 120 kW	1400	10,5	0,5	0,3	4,9	0,8	0,5

tableau 1 Valeurs de réglage O₂ / CO₂ pour le propane (G31) (jaquette avant retirée)

Valeurs de réglage O ₂ /CO ₂ pour propane (G31) à grande allure							
Type de chaudière	Vitesse de rotation du ventilateur (t/min)	CO ₂	Marge de contrôle	Marge de réglage	O ₂	Marge de contrôle	Marge de réglage
	Grande allure 3	%	%	%	%	%	%
210- 80 kW	5600	10,0	0,7	n/a	5,7	1,3	n/a
210- 120 kW	6100*	10,0	0,7	n/a	5,7	1,3	n/a

tableau 2 Valeurs de réglage O₂ / CO₂ pour le propane (G31) (jaquette avant retirée)

* Canada et les Etats Unis max. 5600

Pression d'admission de gaz	12-20 inches w.c. (30-50mBar)		
Pression nourrice	N.A.		
Propane d'estimation d'entrée:			
80 kW	83 - 304 MBTU	(24.3 - 89 kW)	
120 kW	83 - 399 MBTU	(24.3 - 117 kW)	
160 kW	135 - 581 MBTU	(39.6 - 170 kW)	
200 kW	152 - 701 MBTU	(44.5 - 205 kW)	

Place this sticker on the boiler close to the existing rating plate.
Coller cet autocollant sur la chaudière près de la plaquette signalétique.

D ⚠ **WARNING** ⚠

If you do not follow these instructions exactly, a fire or explosion or production of carbon monoxide may result causing property damage or personal injury or loss of life

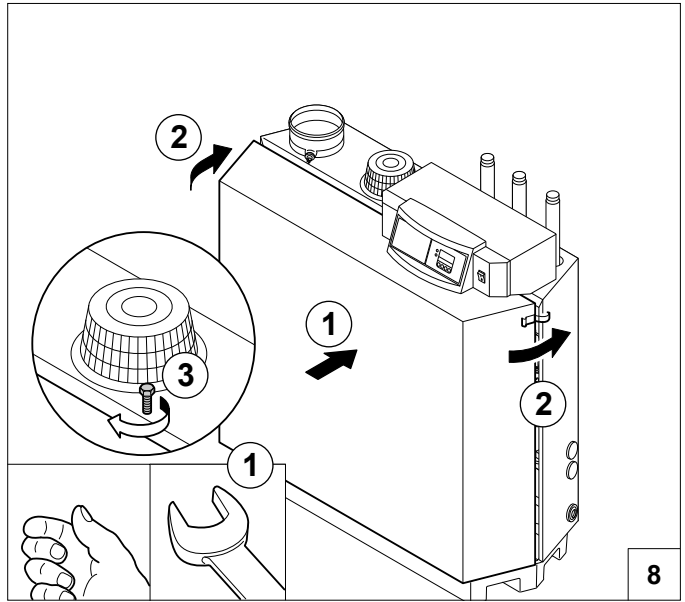
Fuel Conversion Instructions

CAUTION:
The gas supply must be turned off first, then the electrical power, before proceeding with the conversion.
This appliance has been certified for field gas conversions, please follow the instructions exactly as supplied with the fuel conversion kit.
The technician performing this conversion is responsible for the proper installation. The installation is not considered complete until the operation and shutdown of the appliance has been verified, along with the data label being completed and affixed to the appliance in a noticeable location.

ATTENTION THIS APPLIANCE HAS BEEN FIELD CERTIFIED TO USE WITH THE FUEL SHOWN IN THIS LABEL.

Boiler Model		Date of Conversion	
Serial #		MM	YY
Input Rate (MBH)		Installer name and address:	
Gas Type		Gas Technician Certificate #:	
Conversion Kit #		Telephone #	
Gas Supply (In. w.c.)			
Combustion Checked?			
Operation Checked?			

7



8

© Copyright

All technical and technological information contained in these technical instructions, as well as any drawings and technical descriptions supplied, remain our property and shall not be multiplied without our prior consent in writing.

Ours is a policy of continuous development. We reserve the right to alter specifications without prior notification.

Subject to alterations.



119992 - 060309



119992